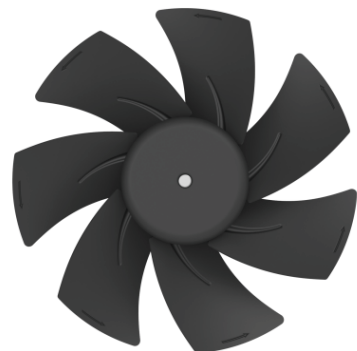


EC Conventional Carbon Steel Blade Axial Fan

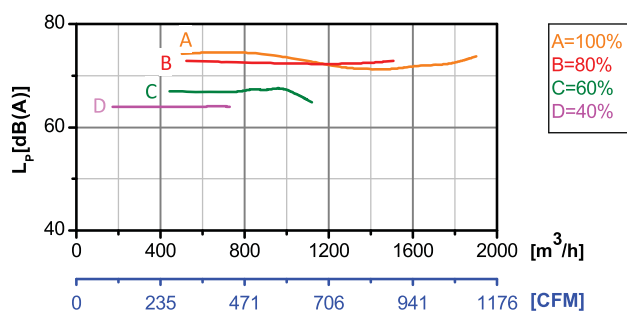
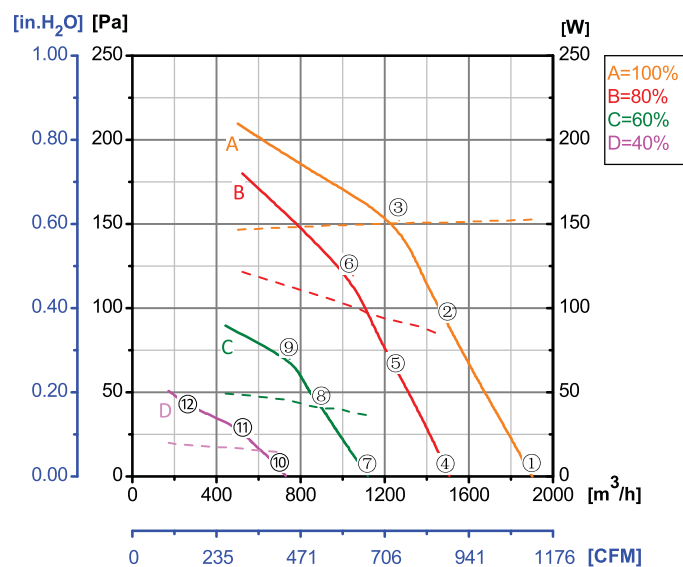
Erp2015  
EXCEEDS THE NORM



Φ 250

Rotor Material: Carbon steel  
Blade Material: Carbon steel  
Ingress Protection: IP44  
Insulation Class: F  
Bearing Type: Maintenance free ball bearing

Performance Curves

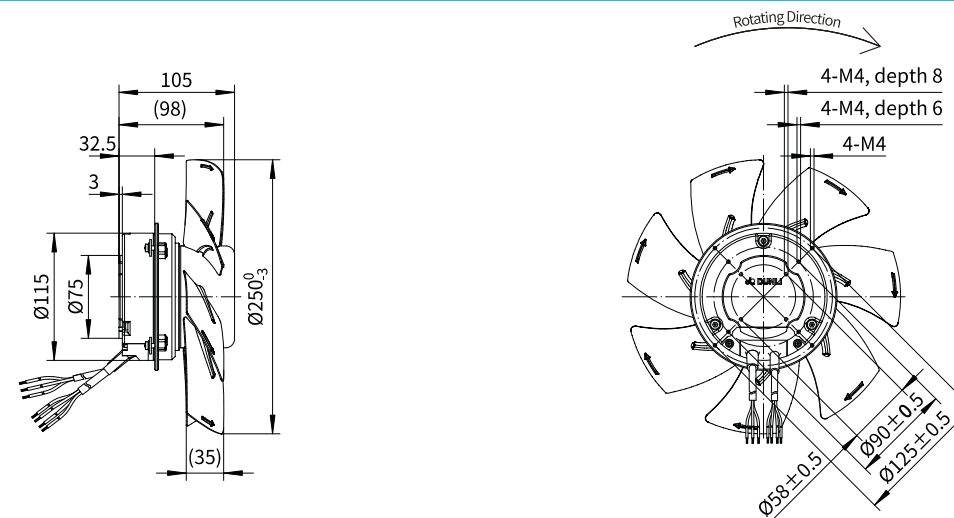


Test Point	Speed	Input Power
	rpm	W
1	2913	153
2	2786	151
3	2730	150
4	2332	81
5	2335	92
6	2335	101
7	1744	36
8	1741	40
9	1746	46
10	1163	14
11	1165	16
12	1164	18

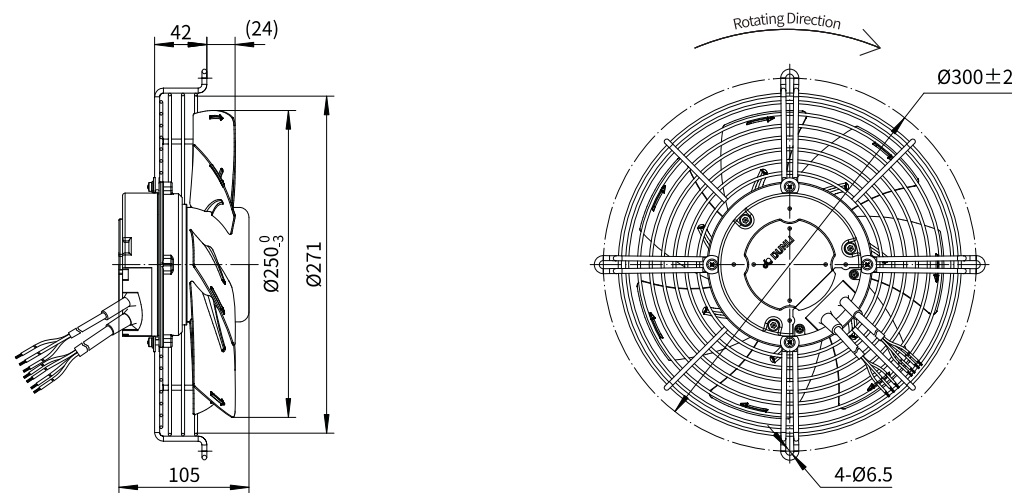
Erp2015 Data:  
Efficiency  $\eta_{statA}$  = 40.8%  
Efficiency grade  $N_{actual}$  = 52.3,  $N_{target}$  = 40  
Test report No. : L-20210302-004-019

Model No.	Voltage	Frequency	Speed	Input Power	Current	Working Temp.	APProvals
	VAC	Hz	RPM	W	A	Min/Max (°C)	
EC92-A250-031	1~220/230	50/60	3050	165	1.27	-20/+60	CCC,CE,UL

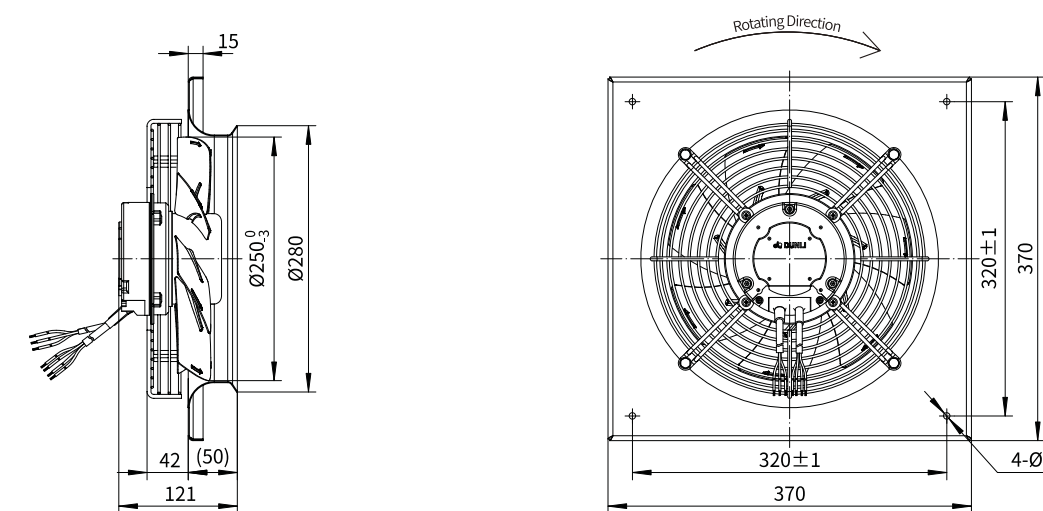
Type A



Type C



Type F



Conventional Steel Blade Axial