

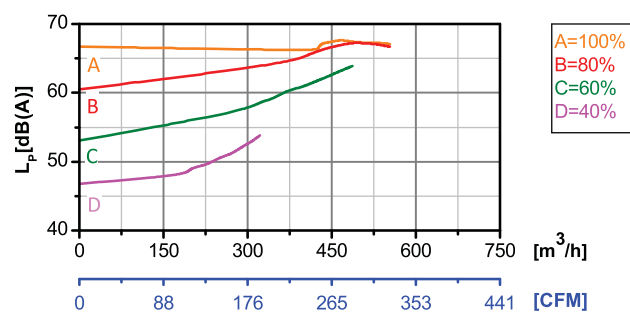
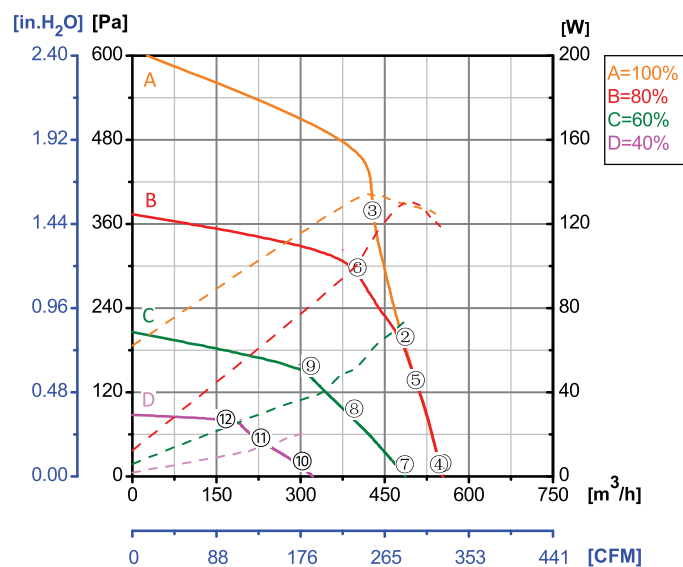
DC Forward Curved Centrifugal Fan and Blower



Φ 160-L

Rotor Material: Carbon steel  
 Housing Material: Carbon steel  
 Impeller Material: Plastic  
 Ingress Protection: IP42  
 Insulation Class: F  
 Bearing Type: Maintenance free ball bearing

Performance Curves

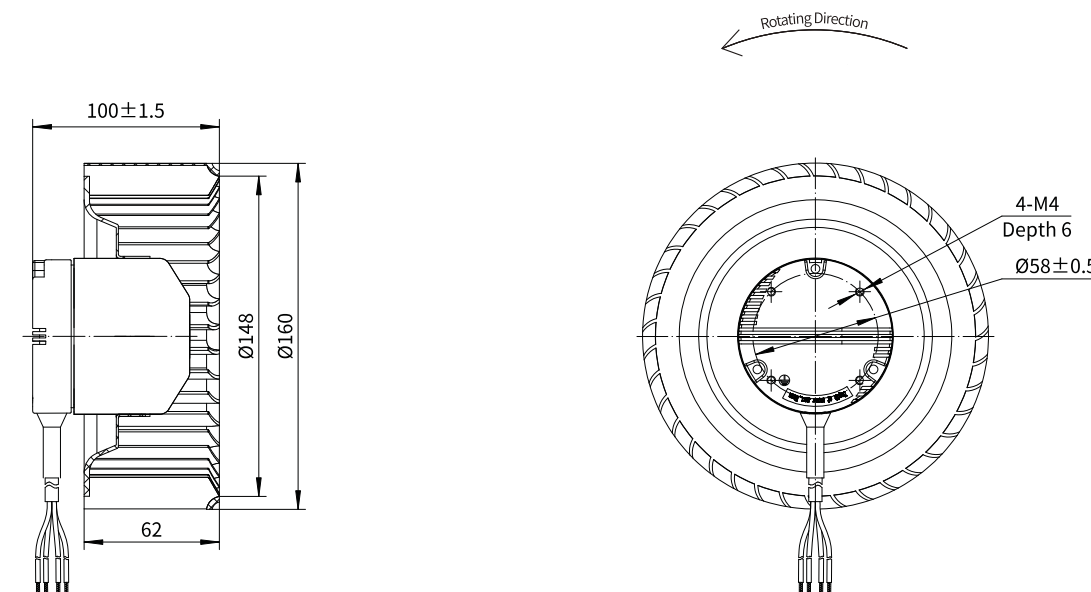


Test Point	Speed	Input Power
	rpm	W
1	1838	113
2	2141	115
3	2440	117
4	1834	112
5	2053	115
6	2197	115
7	1800	104
8	1804	89
9	1808	74
10	1200	29
11	1197	25
12	1199	20

Erp2015 Data:  
 Efficiency  $\eta_{statA} = *%$   
 Efficiency grade  $N_{actual} = *, N_{target} = 44$   
 Test report No. : L-20210302-003-015

Model No.	Voltage	Frequency	Speed	Input Power	Current	Working Temp.	Approvals
	VAC	Hz	RPM	W	A	Min/Max (°C)	
DC72-F160-D10	310	/	1880	115	0.37	-20/+60	CCC,CE

Motorized Forward Curved Impeller



Blower

