

**EC Backward Curved Centrifugal Fan with Aileron Impeller**

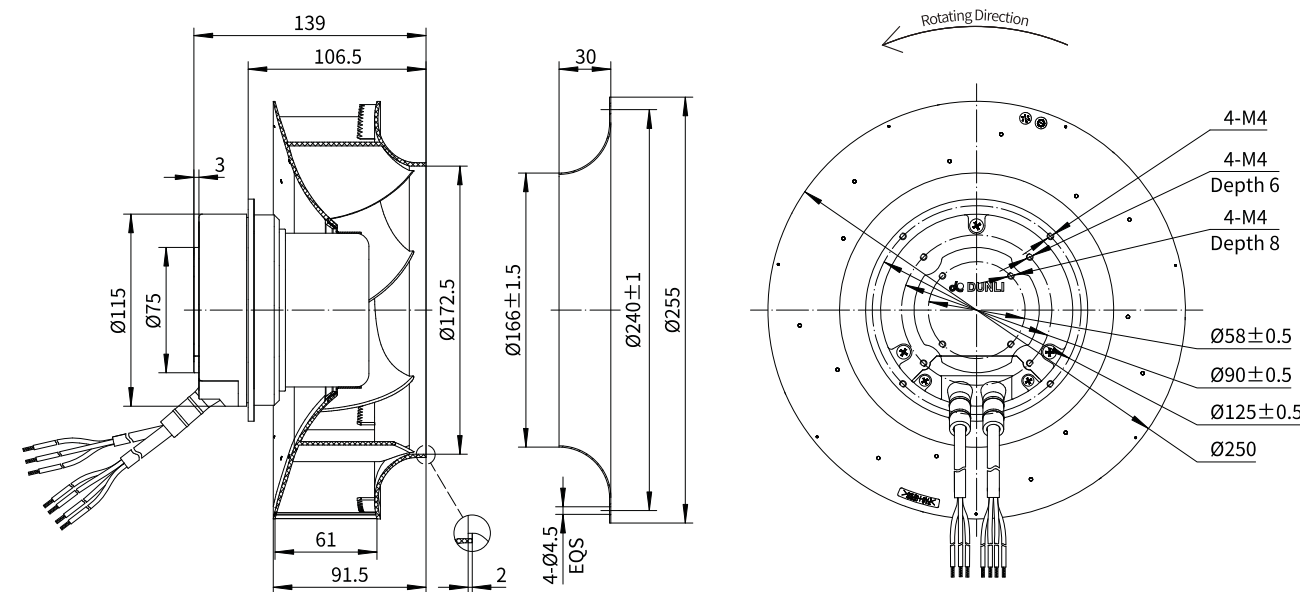
**Erp2015**  
EXCEEDS THE NORM

**Motorized Backward Curved Impeller**

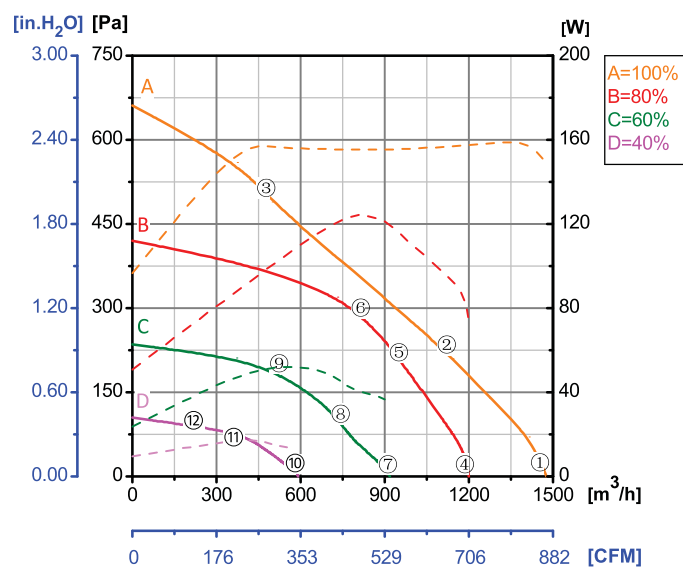


**Φ 250-H**

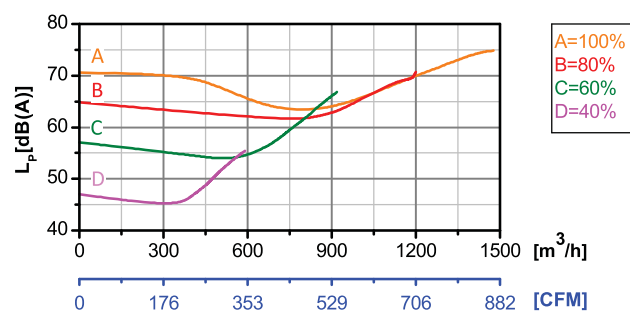
Rotor Material: Carbon steel  
 Impeller Material: Plastic  
 Ingress Protection: IP44  
 Insulation Class: F  
 Bearing Type: Maintenance free ball bearing



**Performance Curves**



Test Point	Speed	Input Power
	rpm	W
1	2787	149
2	2531	157
3	2483	156
4	2226	86
5	2227	114
6	2224	125
7	1665	36
8	1665	45
9	1664	53
10	1112	13
11	1115	15
12	1112	18



Erp2015 Data:  
 Efficiency  $\eta_{statA}$  = 59.1%  
 Efficiency grade  $N_{actual}$  = 78.1,  $N_{target}$  = 62  
 Test report No. : L-20210302-005-024

Model No.	Voltage	Frequency	Speed	Input Power	Current	Working Temp.	APPROVALS
	VAC	Hz	RPM	W	A	Min/Max (°C)	
EC92-B250-041	1~220/230	50/60	2800	150	1.15	-20/+60	CCC,CE