

EC Backward Curved Centrifugal Fan with Aileron Impeller

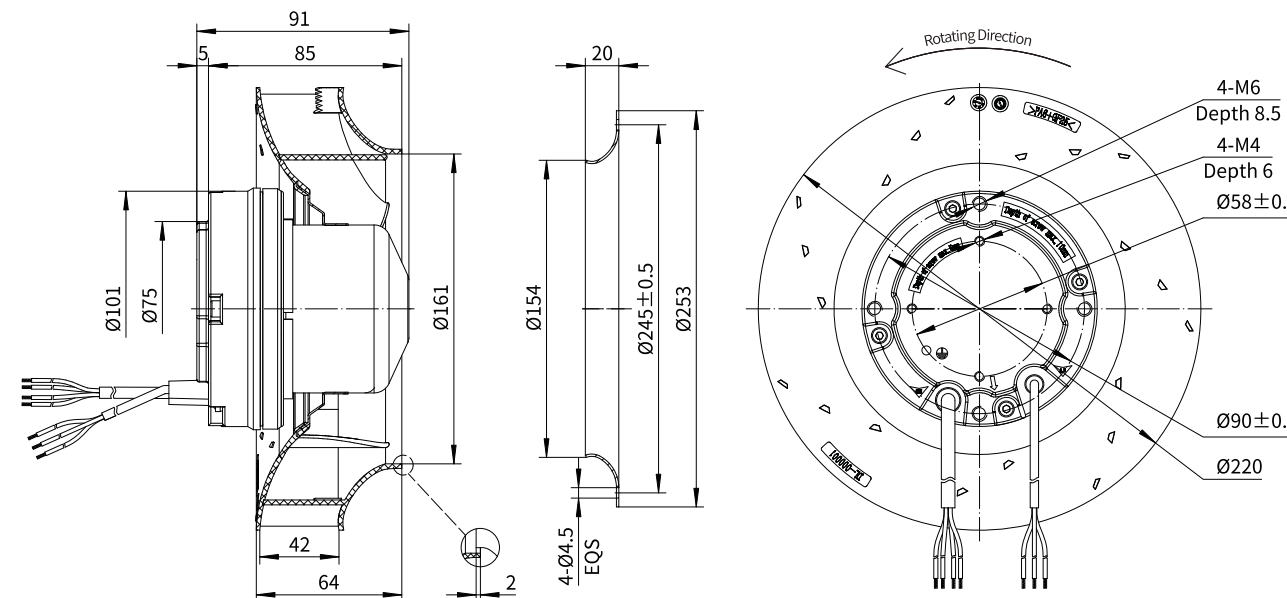
Erp2015
EXCEEDS THE NORM

Motorized Backward Curved Impeller

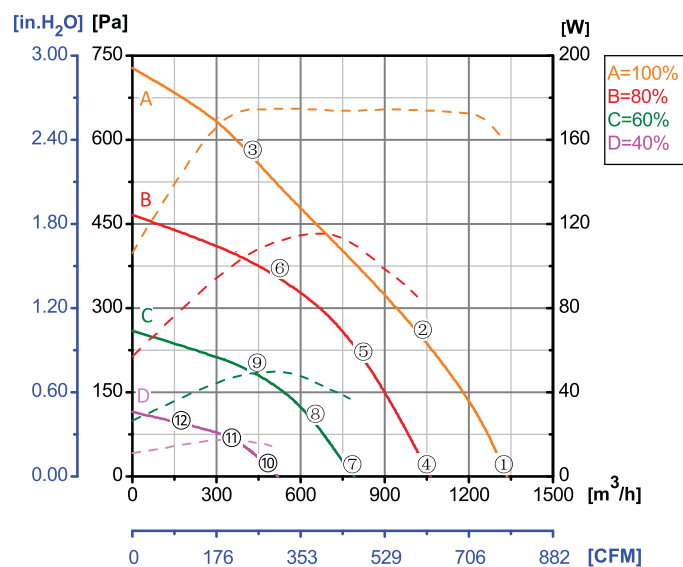


Φ 220-H

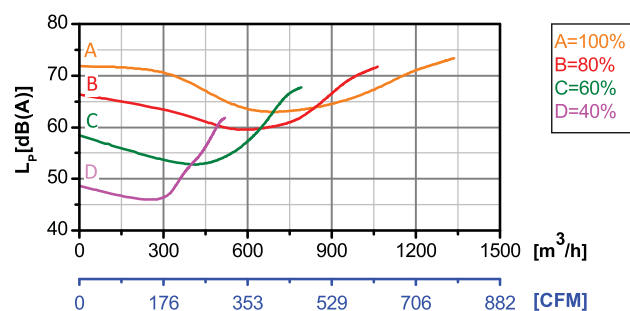
Rotor Material: Carbon steel
Impeller Material: Plastic
Ingress Protection: IP54
Insulation Class: F
Bearing Type: Maintenance free ball bearing



Performance Curves



Test Point	Speed	Input Power
	rpm	W
1	3498	156
2	3328	173
3	3303	173
4	2803	79
5	2799	106
6	2801	113
7	2097	36
8	2097	44
9	2097	50
10	1402	14
11	1402	16
12	1402	18



Erp2015 Data:
Efficiency η_{statA} = 55.2%
Efficiency grade N_{actual} = 73.7, N_{target} = 62
Test report No. : L-20210302 -005-006

Model No.	Voltage	Frequency	Speed	Input Power	Current	Working Temp.	APPROVALS
	VAC	Hz	RPM	W	A	Min/Max (°C)	
EC72-B220-030	1~220/230	50/60	3500	165	1.20	-20/+60	CCC,CE