

EC Forward Curved Centrifugal Fan and Blower

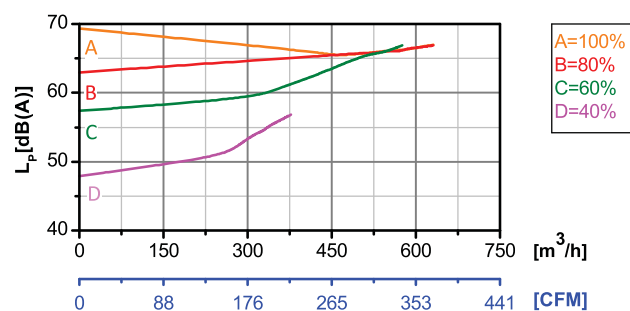
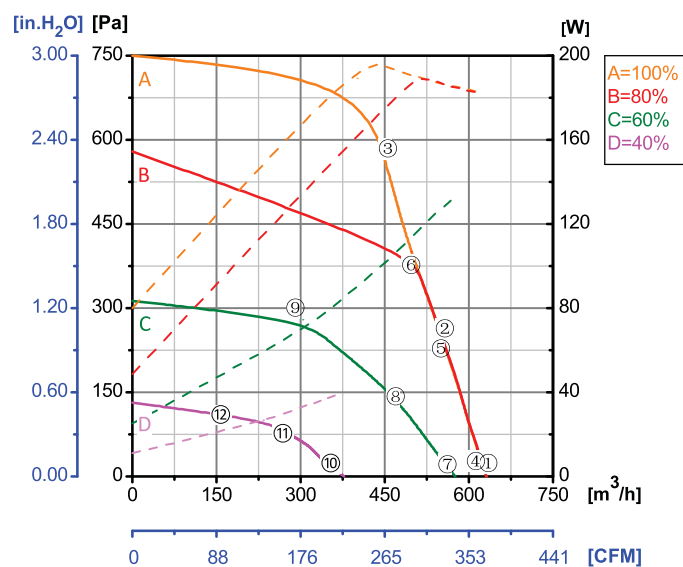
Erp2015  
EXCEEDS THE NORM



Φ 150

- Rotor Material: Carbon steel
- Housing Material: Carbon steel
- Impeller Material: Galvanized steel sheet
- Ingress Protection: IP44
- Insulation Class: F
- Bearing Type: Maintenance free ball bearing

Performance Curves

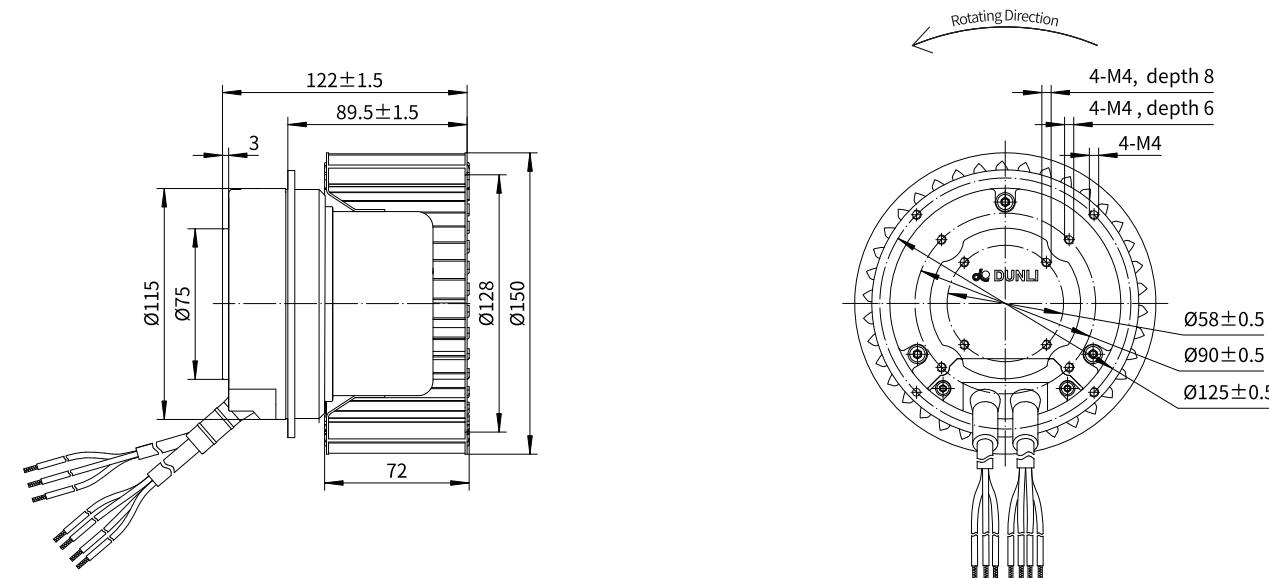


Test Point	Speed	Input Power
	rpm	W
1	2654	181
2	2919	186
3	3352	194
4	2656	182
5	2869	185
6	3076	189
7	2413	133
8	2407	110
9	2701	70
10	1604	40
11	1597	35
12	1599	30

Erp2015 Data:  
Efficiency  $\eta_{statA}$ =45.2%  
Efficiency grade  $N_{actual}$ =55.9,  $N_{target}$ =44  
Test report No. : L-20210302 -003-031

Model No.	Voltage	Frequency	Speed	Input Power	Current	Working Temp.	Approvals
	VAC	Hz	RPM	W	A	Min/Max (°C)	
EC92-F150-033	1~220/230	50/60	2680	180	1.45	-20/+60	CCC,CE,UL

Motorized Forward Curved Impeller



Blower

