



Conventional Carbon Steel Blade Axial Fan

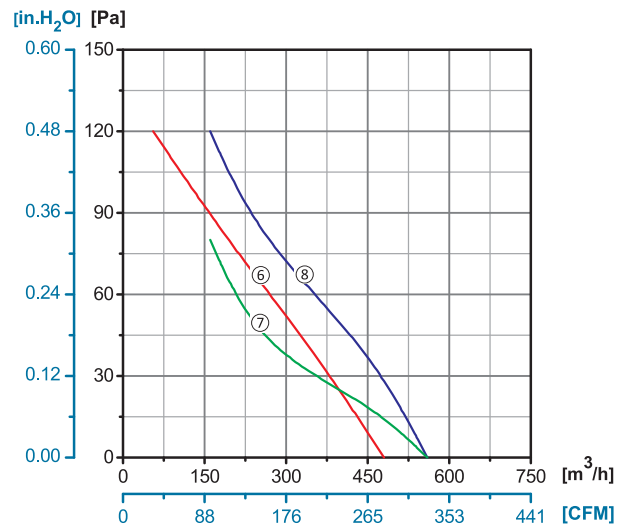
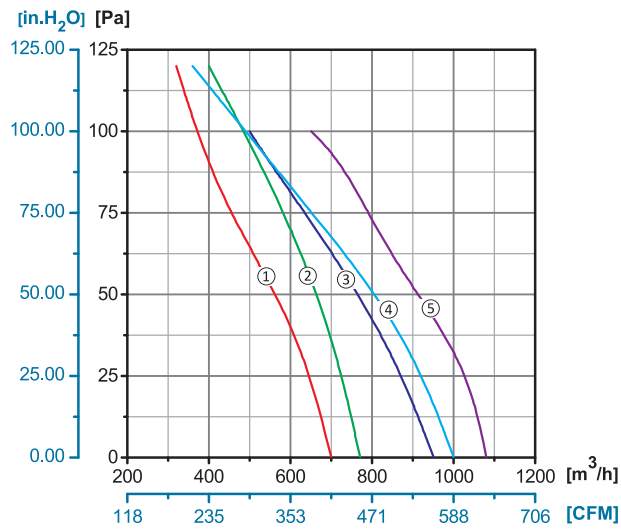
ErP2015
EXCEEDS THE NORM



Φ200

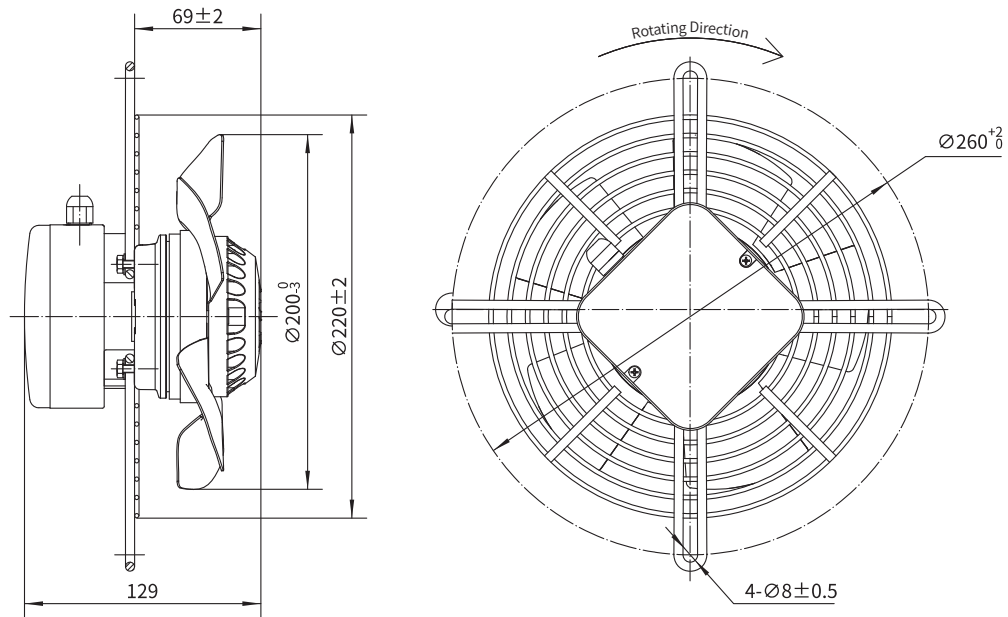
Rotor Material: Aluminum Die-casting
Impeller Material: Carbon Steel
Ingress Protection: IP44
Insulation Class: F
Bearing Type: Maintenance Free Ball Bearing

Performance Curves



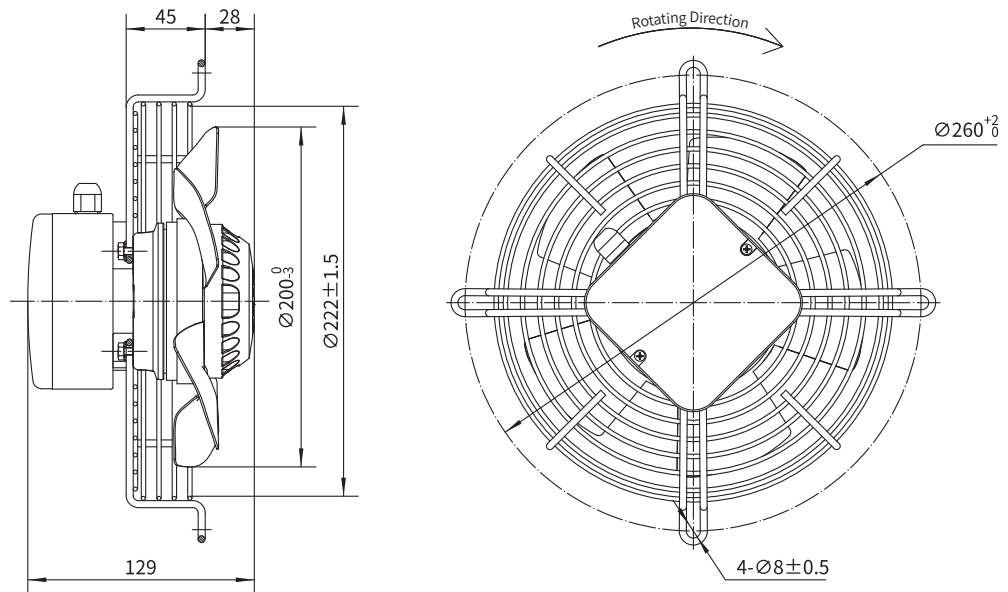
Type B	Type C	Type D	Type E	Type F0
YWF.A2S-200S-5B A00	YWF.A2S-200S-5C A00	YWF.A2S-200S-5D A00	YWF.A2S-200S-5E A00	YWF.A2S-200S-5F A00
YWF.A4S-200S-5B A00	YWF.A4S-200S-5C A00	YWF.A4S-200S-5D A00	YWF.A4S-200S-5E A00	YWF.A4S-200S-5F A00
YWF.A2S-200S-5B A05	YWF.A2S-200S-5C A05	YWF.A2S-200S-5D A05	YWF.A2S-200S-5E A05	YWF.A2S-200S-5F A05
YWF.A4S-200S-5B A05	YWF.A4S-200S-5C A05	YWF.A4S-200S-5D A05	YWF.A4S-200S-5E A05	YWF.A4S-200S-5F A05
YWF.A2S-200S-7B A00	YWF.A2S-200S-7C A00	YWF.A2S-200S-7D A10	YWF.A2S-200S-7E A00	YWF.A2S-200S-7F A00

Type B



Conv. Steel Blade Axial

Type C



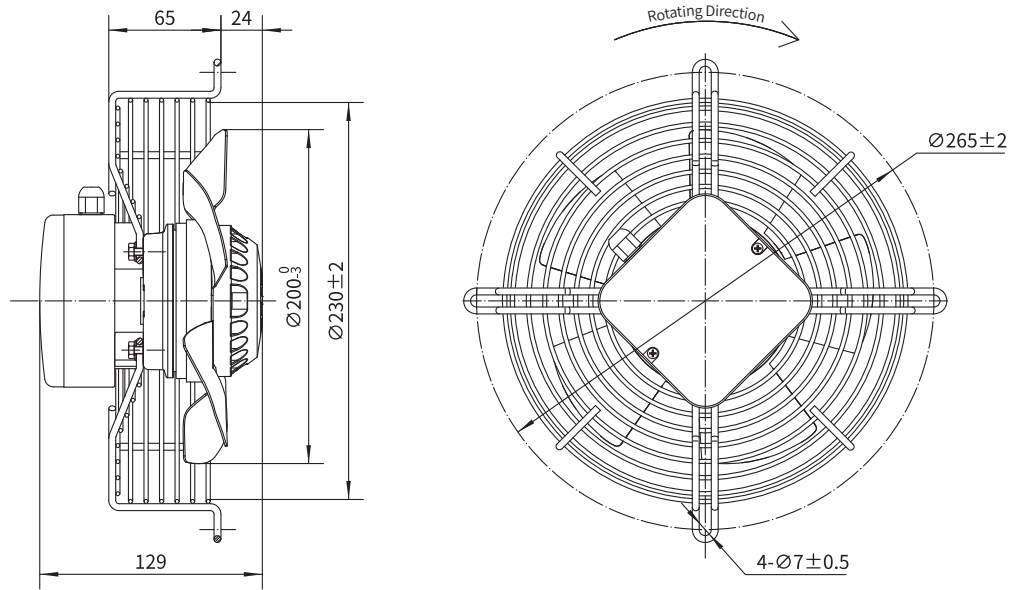
	Voltage	Frequency	Current	Power	Speed	Capacitor	Air Flow (0 Pa)	Noise	Curve	Working Temp.	Approvals
Type F1	V	Hz	A	W	RPM	μF	[m ³ /h]/[CFM]	dB(A)	No.	Min/Max(°C)	
/	220/230	50	0.20	45	2650	2	700/411	54	①	-30/+60	CCC, CE
/	220/230	60	0.26	56	2950	2	770/452	56	②	-30/+60	CCC, CE
/	220/230	50	0.12	27	1500	1	480/282	41	⑥	-30/+60	CCC, CE
/	220/230	60	0.13	30	1680	1	560/329	45	⑧	-30/+60	CCC, CE
/	110/120	60	0.45	55	2800	6	770/452	56	②	-30/+60	UL
/	110/120	60	0.18	20	1600	2	560/329	45	⑦	-30/+60	UL
/	220/230	50	0.30	72	2700	2	950/559	60	③	-30/+60	CCC, CE
/	220/230	60	0.35	80	3050	2	1080/635	64	⑤	-30/+60	CCC, CE



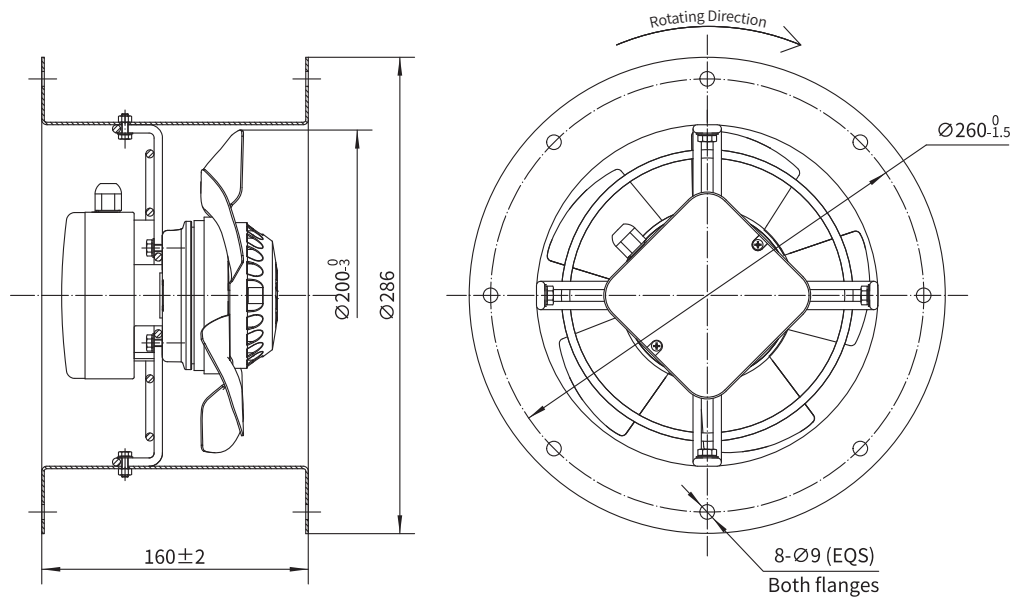
Conventional Carbon Steel Blade Axial Fan

Φ200

Type D



Type E

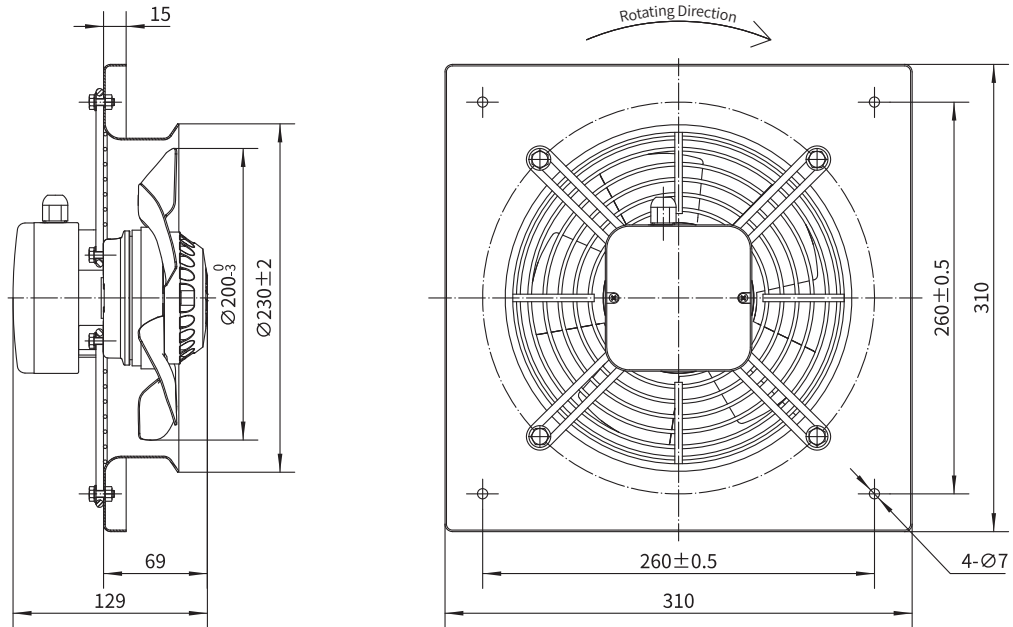




Conventional Carbon Steel Blade Axial Fan

Φ200

Type F0



Conv. Steel Blade Axial

