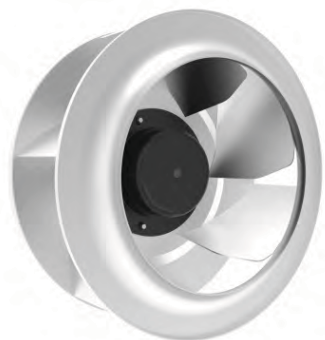


EC Backward Centrifugal Fan with Metal Impeller

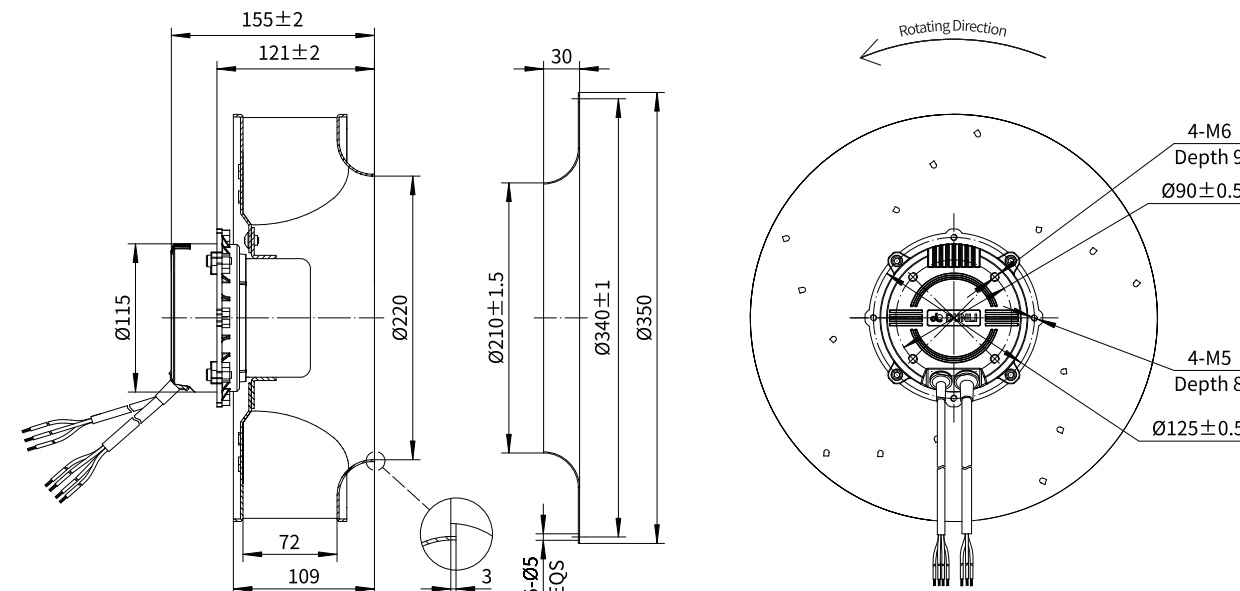
Erp2015
EXCEEDS THE NORM

Motorized Backward Curved Impeller

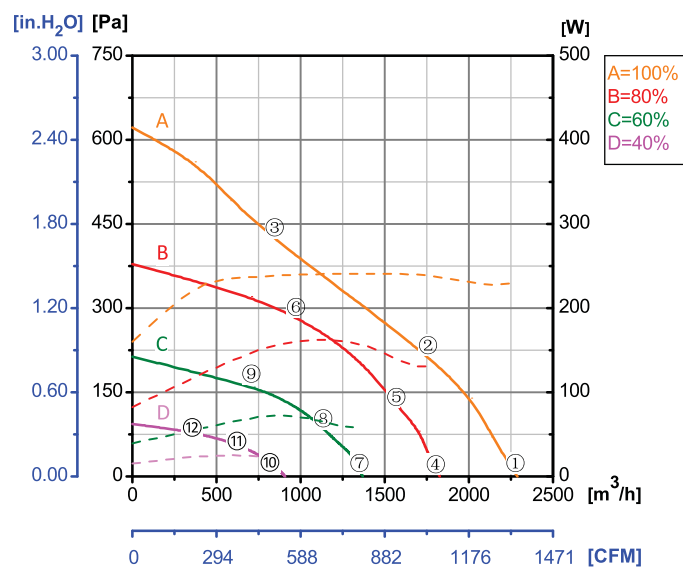


Φ 310-L

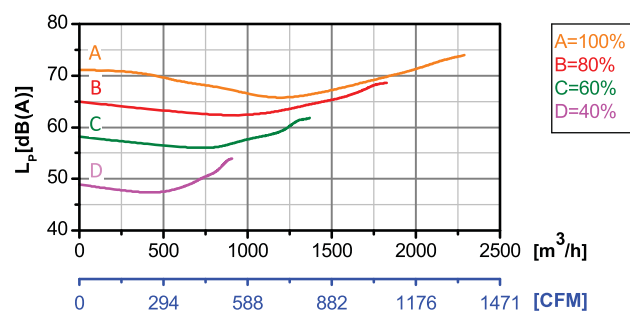
Rotor Material: Carbon steel
 Impeller Material: Aluminum alloy sheet
 Ingress Protection: IP54
 Insulation Class: F
 Bearing Type: Maintenance free ball bearing



Performance Curves



Test Point	Speed	Input Power
	rpm	W
1	2139	231
2	2011	241
3	1977	240
4	1712	120
5	1713	137
6	1713	162
7	1287	56
8	1287	64
9	1286	72
10	858	20
11	856	22
12	858	25



Erp2015 Data:
 Efficiency η_{statA}=54%
 Efficiency grade N_{actual}=71, N_{target}=62
 Test report No. : L-20210302-005-078

Model No.	Voltage	Frequency	Speed	Input Power	Current	Working Temp.	APProvals
	VAC	Hz	RPM	W	A	Min/Max (°C)	
EC92-B310-B20	1~220/230	50/60	2100	230	1.62	-20/+60	CCC,CE