



## Conventional Carbon Steel Blade Axial Fan

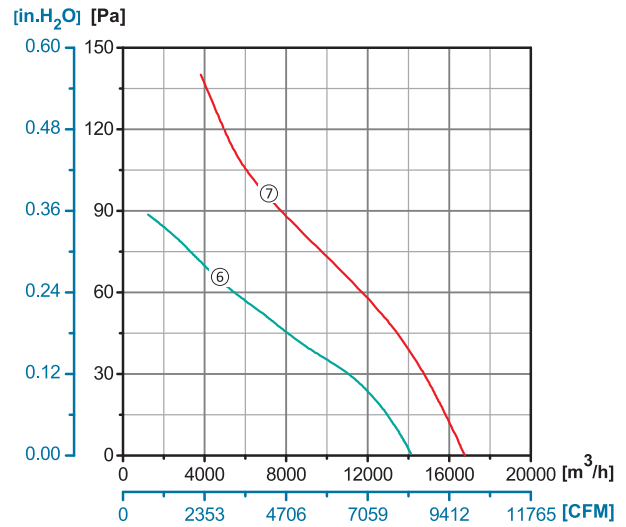
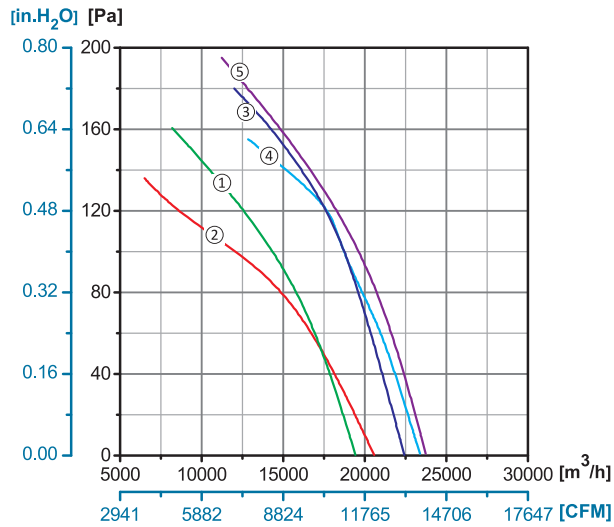
**ErP2015**  
EXCEEDS THE NORM



**Φ800**

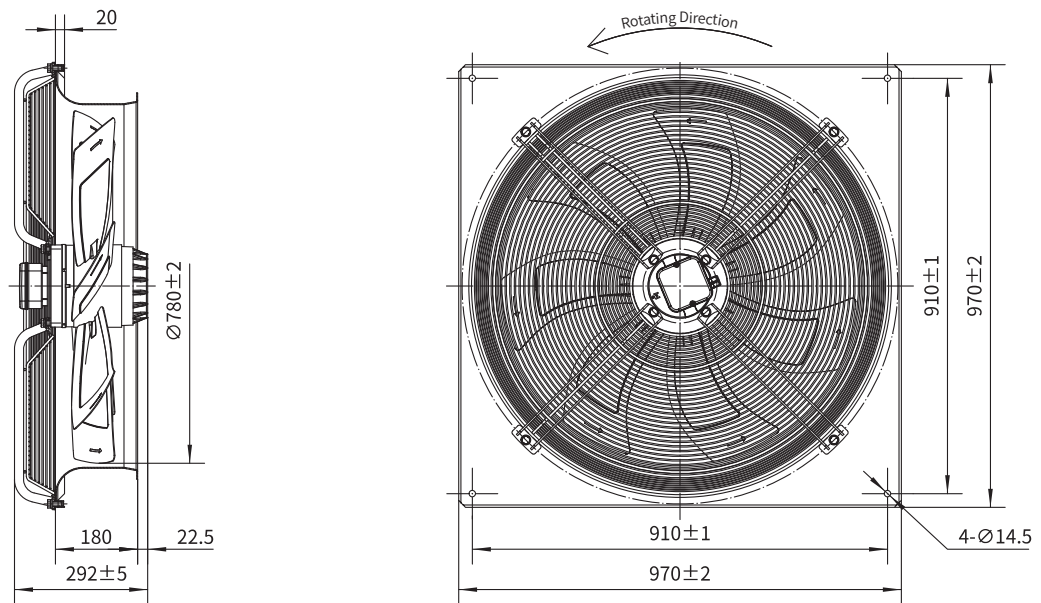
**Rotor Material:** Aluminum Die-casting  
**Impeller Material:** Carbon Steel  
**Ingress Protection:** IP54  
**Insulation Class:** F  
**Bearing Type:** Maintenance Free Ball Bearing

### Performance Curves



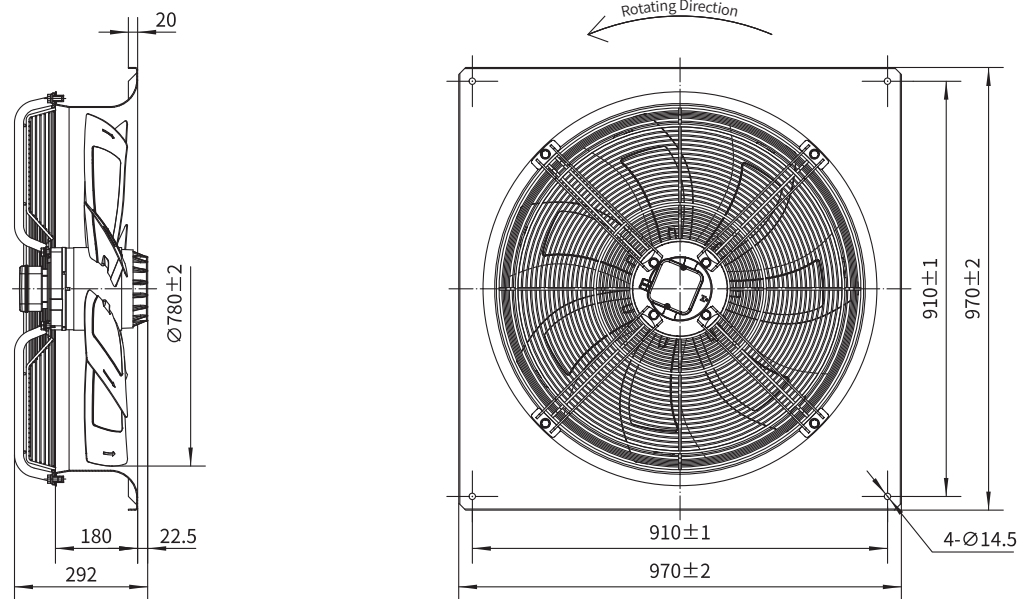
Type B	Type C	Type D	Type E	Type F0
/	/	/	/	YWF.A6T-800S-7F   S11
/	/	/	/	YWF.A6T-800S-7F   S11
/	/	/	/	YWF.A8T-800S-7F   S11
/	/	/	/	YWF.A6T-800S-7F   V11


### Type F0



Conv. Steel Blade Axial

### Type F1



	Voltage	Frequency	Current	Power	Speed	Capacitor	Air Flow (0 Pa)	Noise	Curve	Working Temp.	Approvals
Type F1	V	Hz	A	W	RPM	µF	[m³/h]/[CFM]	dB(A)	No.	Min/Max(°C)	
YWF.A6T-800S-7F   S10	380/400	50	3.20	1400	900	/	23400/13765	80	④	-30/+60	CCC, CE
	380/400	50	1.90	1100	750	/	20600/12118	76	②	-30/+60	CCC, CE
YWF.A6T-800S-7F   S10	380/400	60	3.40	1750	1050	/	24000/14118	80	⑤	-30/+60	CCC, CE
	380/400	50	1.50	650	670	/	16800/9882	74	⑥	-30/+60	CCC, CE
YWF.A8T-800S-7F   S10	380/400	50	0.80	450	510	/	14130/8312	70	⑦	-30/+60	CCC, CE
	YWF.A6T-800S-7F   V10	220/230	50	5.20	1200	950	/	19500/11470	75	①	-30/+60
220/230		60	5.70	1800	1050	/	22500/13275	78	③	-30/+60	CCC, CE
380/400		50	3.00	1200	950	/	19500/11470	75	①	-30/+60	CCC, CE
380/400		60	3.40	1800	1050	/	22500/13275	78	③	-30/+60	CCC, CE