

EC Conventional Carbon Steel Blade Axial Fan

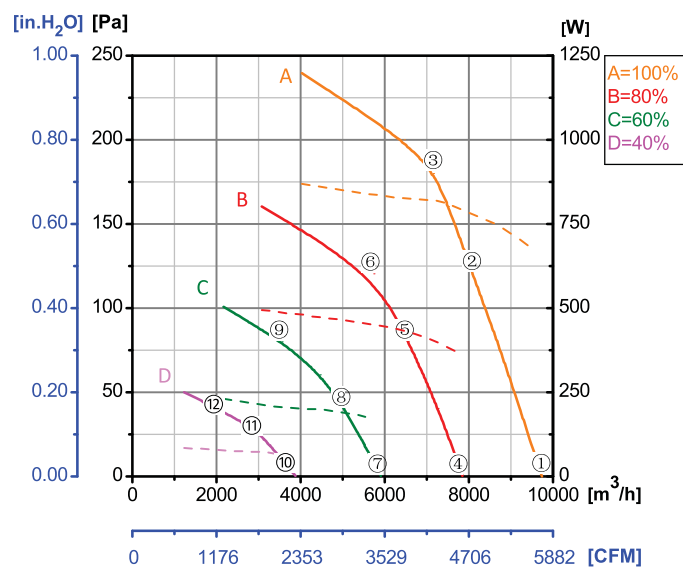
Erp2015
EXCEEDS THE NORM



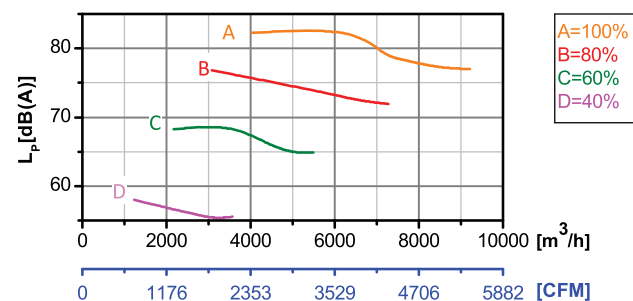
Φ 500 (3-phase)

Rotor Material: Carbon steel
Blade Material: Carbon steel
Ingress Protection: IP54
Insulation Class: F
Bearing Type: Maintenance free ball bearing

Performance Curves



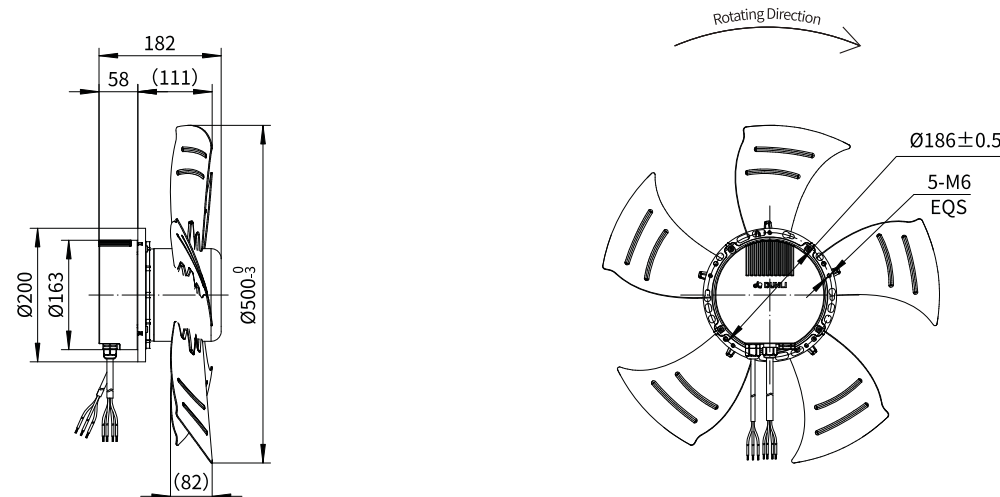
Test Point	Speed	Input Power
	rpm	W
1	1740	660
2	1723	777
3	1723	823
4	1392	361
5	1396	431
6	1396	454
7	1044	167
8	1044	191
9	1044	202
10	695	61
11	697	70
12	696	78



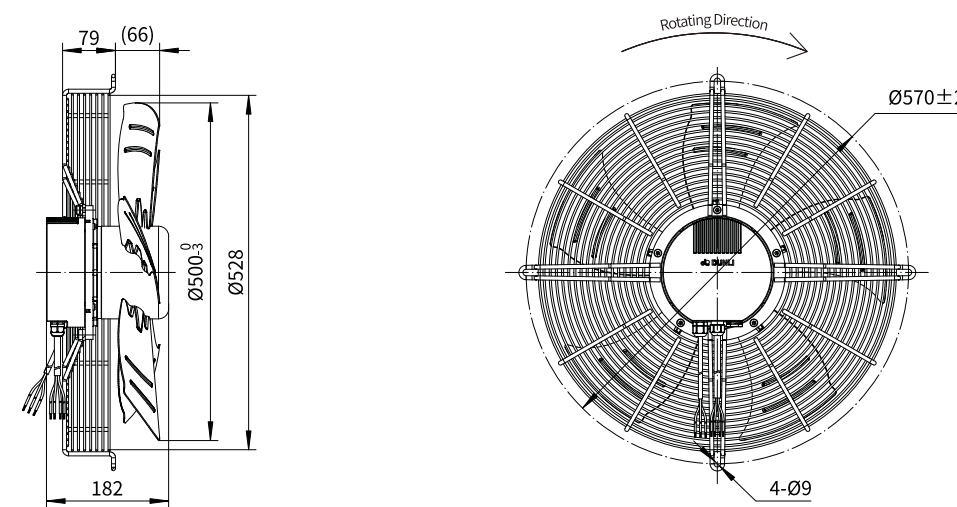
Erp2015 Data:
Efficiency $\eta_{statA}=47.9\%$
Efficiency grade $N_{actual}=54.8, N_{target}=40$
Test report No. : L-20210302-004-055

Model No.	Voltage	Frequency	Speed	Input Power	Current	Working Temp.	APPROVALS
	VAC	Hz	RPM	W	A	Min/Max (°C)	
EC137-A500-002	3~380/400	50/60	1800	900	1.60	-20/+60	CCC,CE

Type A



Type D



Type F

