



## Conventional Carbon Steel Blade Axial Fan

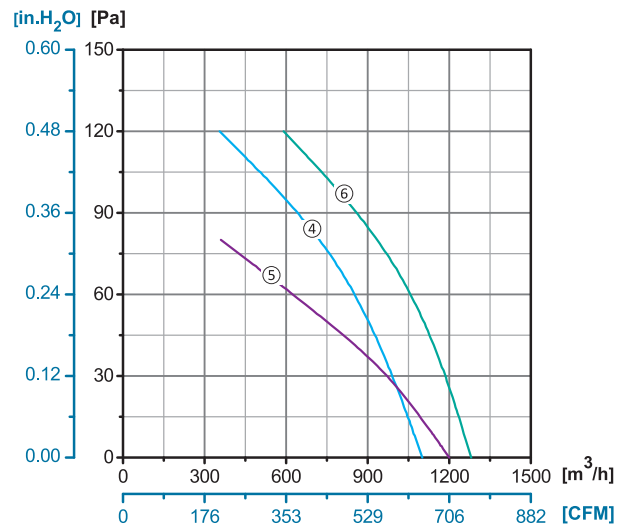
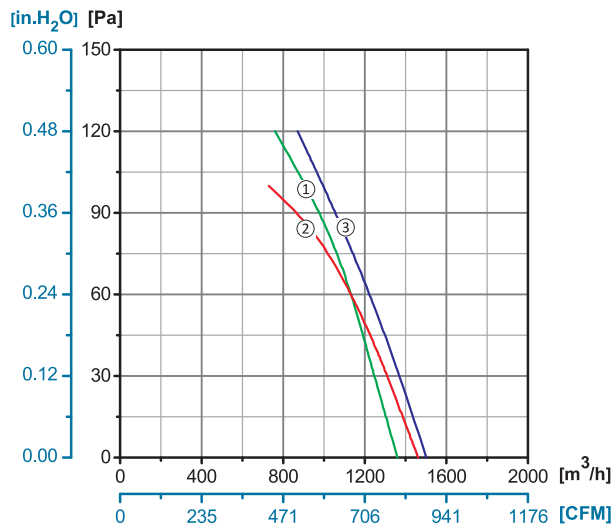
**ErP2015**  
EXCEEDS THE NORM



### Φ250

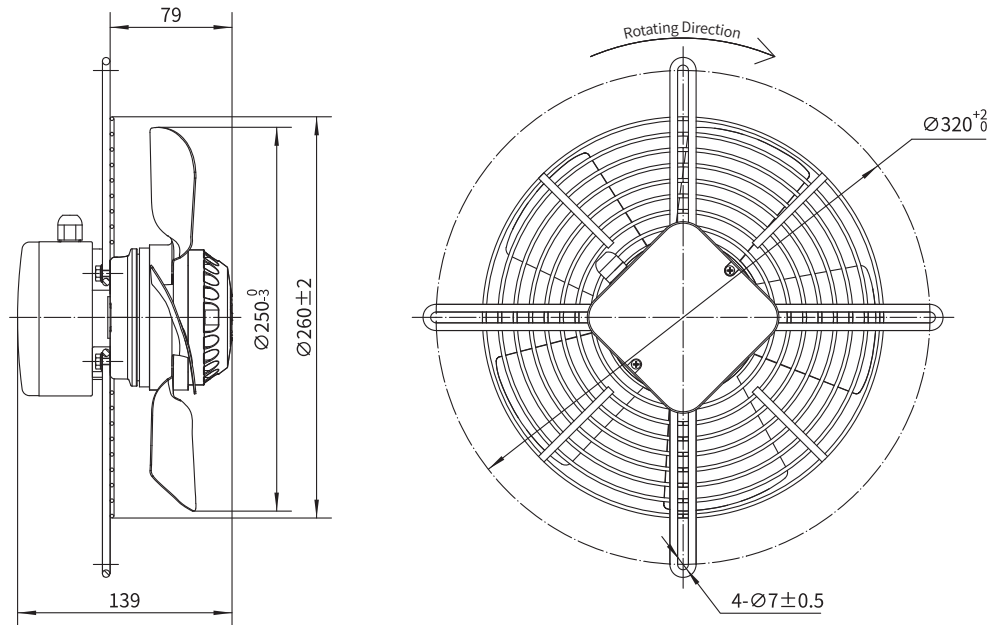
- Rotor Material: Aluminum Die-casting
- Impeller Material: Carbon Steel
- Ingress Protection: IP44
- Insulation Class: F
- Bearing Type: Maintenance Free Ball Bearing

### Performance Curves



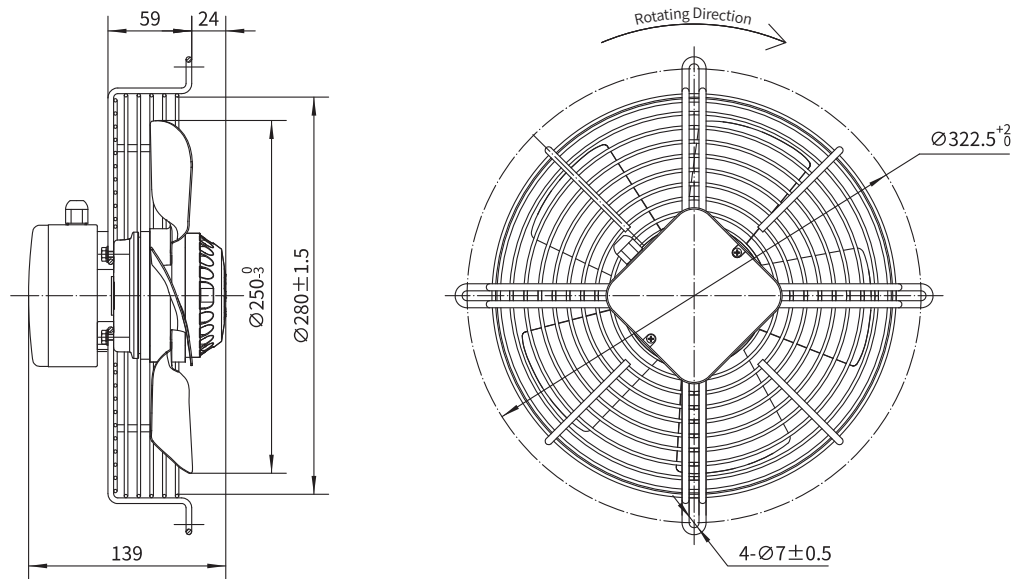
Type B	Type C	Type D	Type E	Type F0
YWF.A2S-250S-5B   A00	YWF.A2S-250S-5C   A00	YWF.A2S-250S-5D   A00	YWF.A2S-250S-5E   A00	YWF.A2S-250S-5F   A00
YWF.A4S-250S-5B   A00	YWF.A4S-250S-5C   A00	YWF.A4S-250S-5D   A00	YWF.A4S-250S-5E   A00	YWF.A4S-250S-5F   A00
YWF.A4T-250S-5B   A00	YWF.A4T-250S-5C   A00	YWF.A4T-250S-5D   A00	YWF.A4T-250S-5E   A00	YWF.A4T-250S-5F   A00
YWF.A2S-250S-5B   A05	YWF.A2S-250S-5C   A05	YWF.A2S-250S-5D   A05	YWF.A2S-250S-5E   A05	YWF.A2S-250S-5F   A05
YWF.A4S-250S-5B   A05	YWF.A4S-250S-5C   A05	YWF.A4S-250S-5D   A05	YWF.A4S-250S-5E   A05	YWF.A4S-250S-5F   A05

### Type B



Conv. Steel Blade Axial

### Type C



	Voltage	Frequency	Current	Power	Speed	Capacitor	Air Flow (0 Pa)	Noise	Curve	Working Temp.	Approvals
Type F1	V	Hz	A	W	RPM	$\mu\text{F}$	$[\text{m}^3/\text{h}]/[\text{CFM}]$	$\text{dB(A)}$	No.	Min/Max( $^{\circ}\text{C}$ )	
/	220/230	50	0.43	95	2600	3	1360/800	60	①	-30/+60	CCC, CE
/	220/230	60	0.59	130	2750	3	1500/882	62	③	-30/+60	CCC, CE, UL
/	220/230	50	0.25	55	1400	2	1100/647	49	④	-30/+60	CCC, CE
/	220/230	60	0.29	65	1620	2	1280/752	53	⑥	-30/+60	CCC, CE, UL
/	380/400	50	0.16	60	1400	/	1100/647	49	④	-30/+60	CCC, CE
/	380/400	60	0.15	60	1600	/	1280/752	53	⑥	-30/+60	CCC, CE, UL
/	110/120	60	1.00	120	2650	10	1500/882	62	②	-30/+60	UL
/	110/120	60	0.48	55	1600	5	1200/705	54	⑤	-30/+60	UL

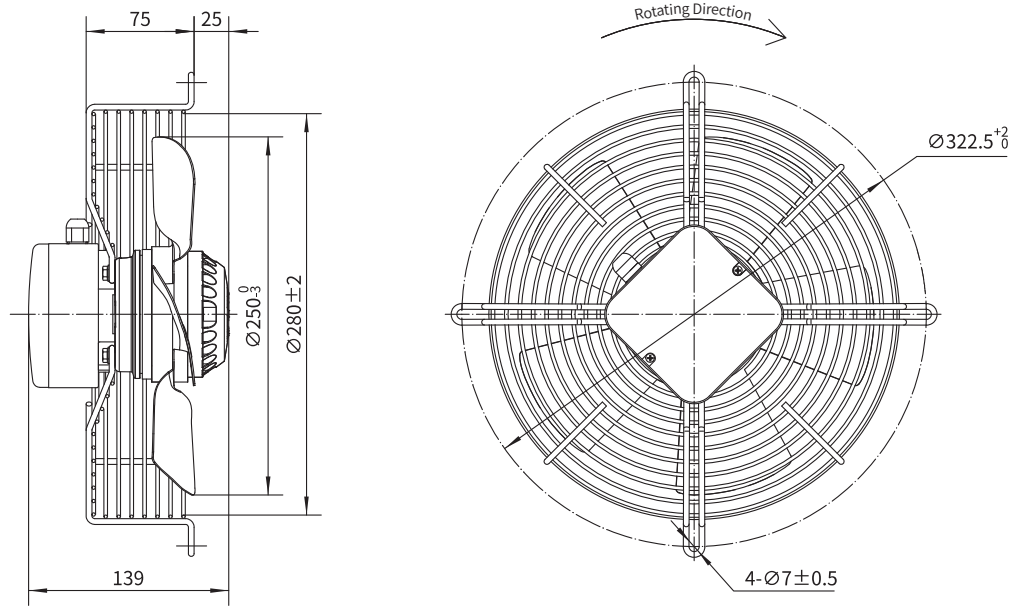




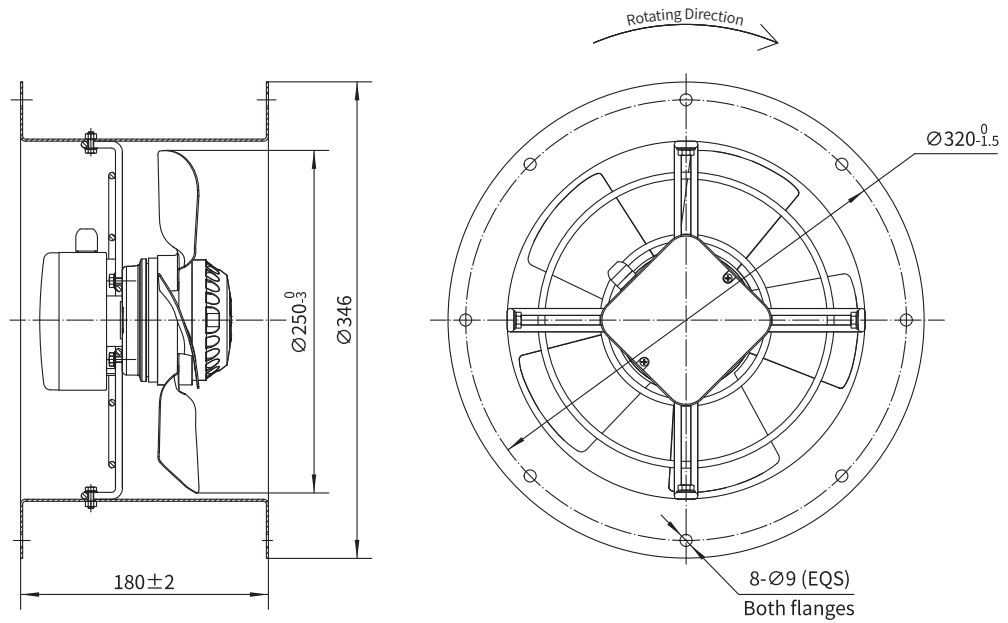
**Conventional Carbon Steel Blade Axial Fan**

**Φ250**

**Type D**



**Type E**

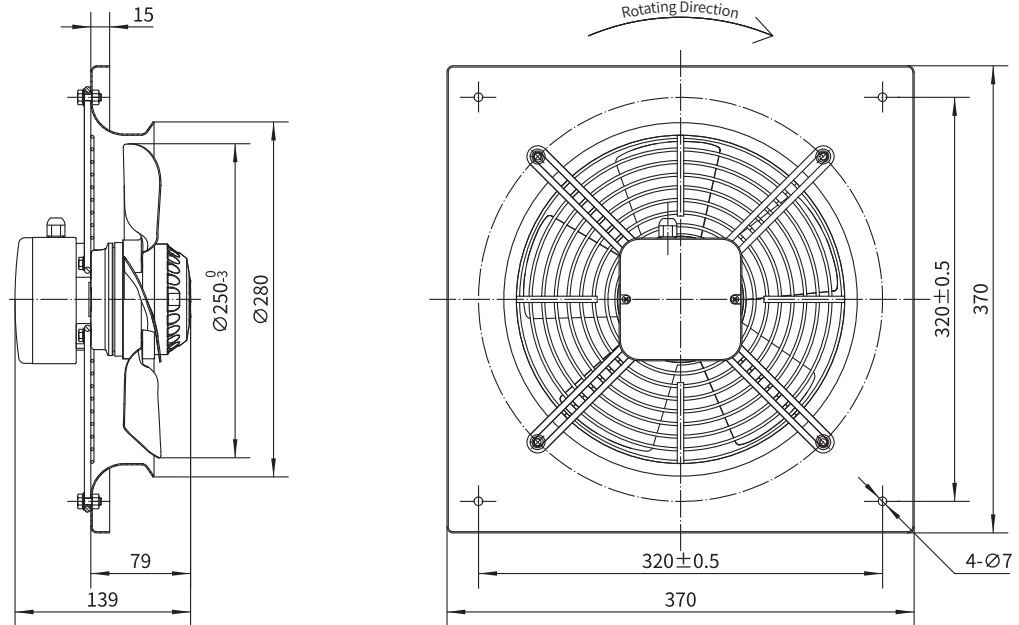




# Conventional Carbon Steel Blade Axial Fan

# Φ250

Type F0



Conv. Steel Blade Axial