



## In-line Duct Fan



### Φ 160

**Rotor Material:** Aluminum Die-casting

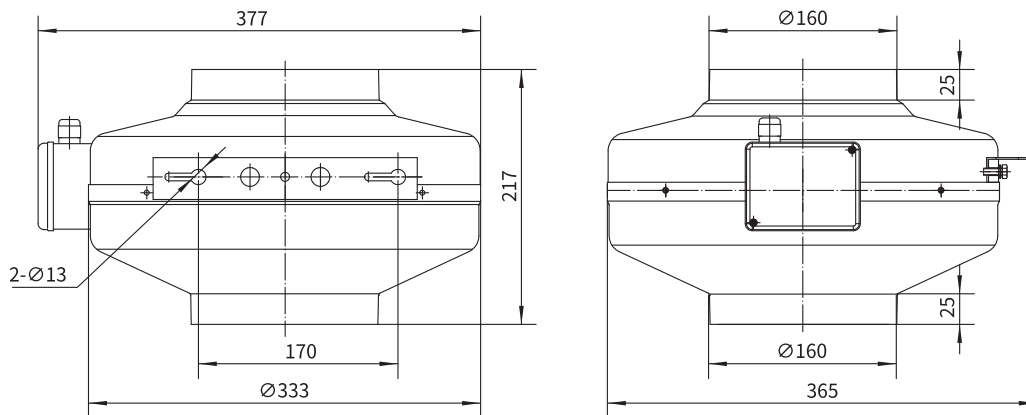
**Housing Material:** Carbon Steel

**Ingress Protection:** IP44

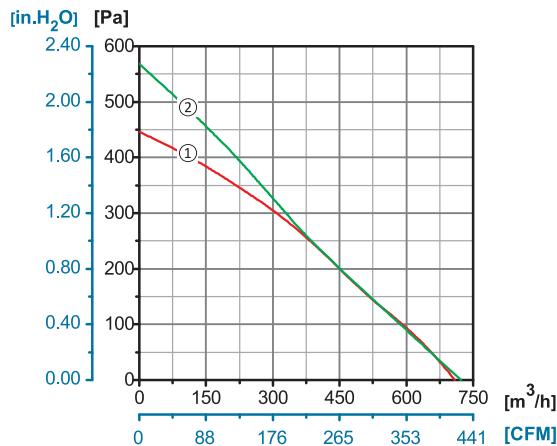
**Insulation Class:** F

**Bearing Type:** Maintenance Free Ball Bearing

### Dimensional Drawings



### Performance Curves



In-line Duct Fan

Model No.	Voltage	Frequency	Current	Power	Speed	Capacitor	Air Flow (0 Pa)	Noise	Curve	Working Temp.	Approvals
	V	Hz	A	W	RPM	µF	[m <sup>3</sup> /h]/[CFM]	dB(A)	No.	Min/Max (°C)	
YWF.G2S-160-217AA0A	110/120	60	1.28	150	2430	12	715/420	73	②	-30/+60	
YWF.G2S-160-217AA20	220/230	50	0.52	118	2415	4	710/417	72	①	-30/+60	CCC, CE
	220/230	60	0.70	150	2430	4	715/420	73	②	-30/+60	CE

