

EC Plastic Airfoil Blade Axial Fan

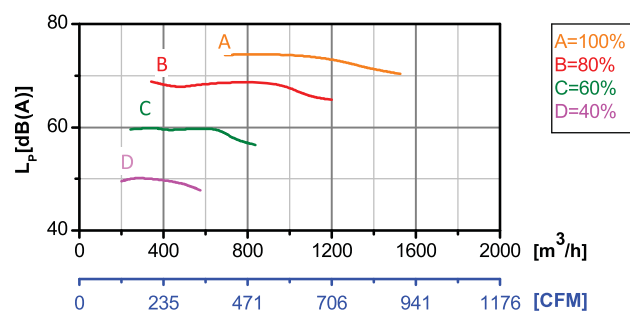
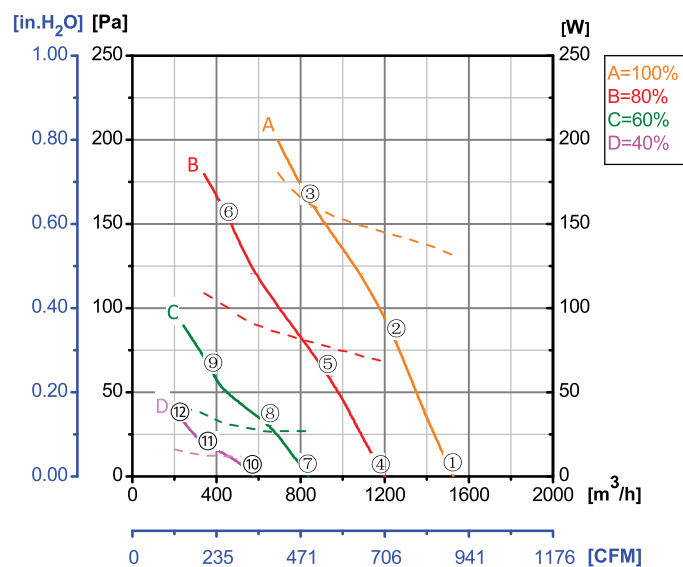
ErP2015
EXCEEDS THE NORM



Φ 250

Rotor Material: Carbon steel
Blade Material: Plastic
Ingress Protection: IP44
Insulation Class: F
Bearing Type: Maintenance free ball bearing

Performance Curves

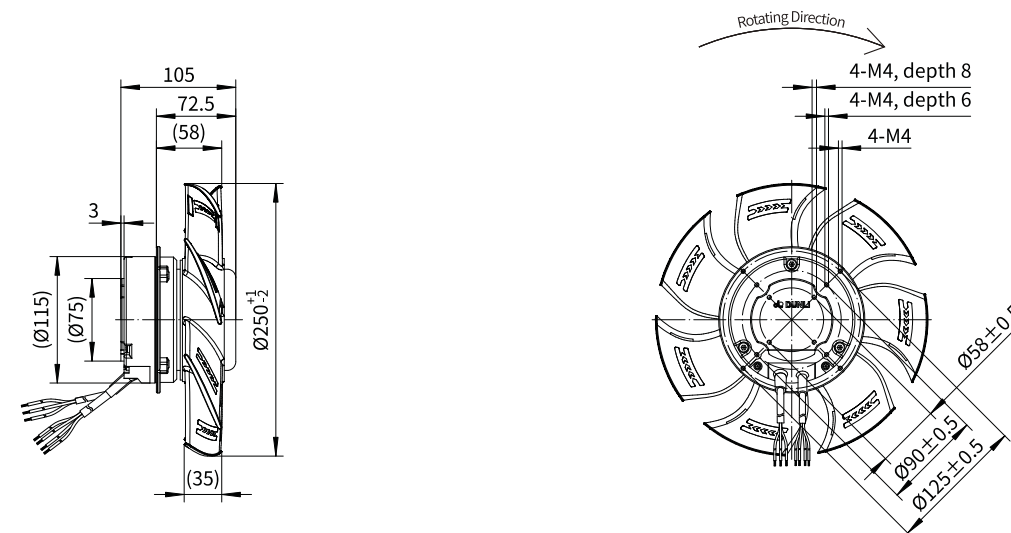


Test Point	Speed rpm	Input Power W
1	2897	131
2	2903	124
3	2896	156
4	2316	68
5	2322	64
6	2316	99
7	1641	27
8	1654	26
9	1651	34
10	1156	12
11	1159	12
12	1159	15

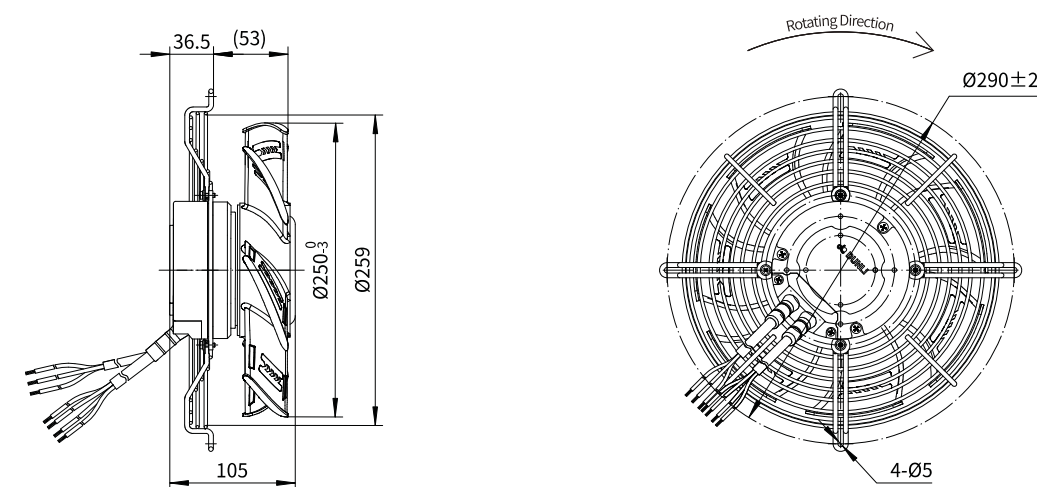
Erp2015 Data:
Efficiency η_{statA} = 33%
Efficiency grade N_{actual} = 45, N_{target} = 40
Test report No. : L-20210302-004-016

Model No.	Voltage	Frequency	Speed	Input Power	Current	Working Temp.	APPROVALS
	VAC	Hz	RPM	W	A	Min/Max (°C)	
EC92-A250-037	1~220/230	50/60	2900	140	1.00	-20/+60	CCC,CE,UL

Type A



Type D



Type F

