



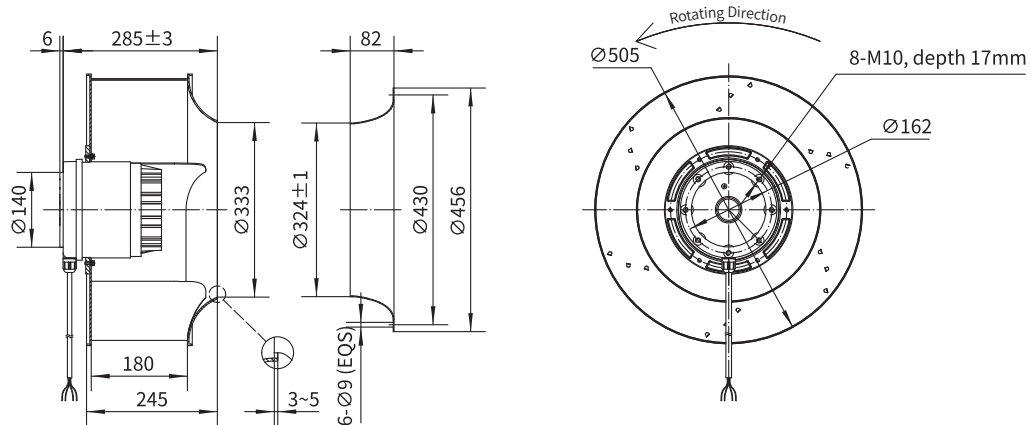
Backward Curved Centrifugal Fan with Conventional Metal Impeller



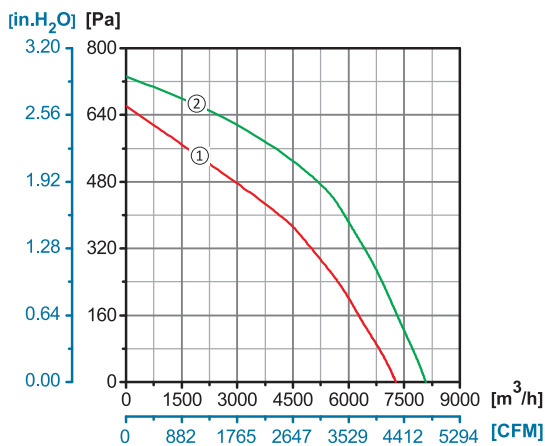
Φ 500

Rotor Material: Aluminum Die-casting
Impeller Material: Aluminum Alloy
Ingress Protection: IP54
Insulation Class: F
Bearing Type: Maintenance Free Ball Bearing

Dimensional Drawings



Performance Curves



Model No.	Voltage	Frequency	Current	Power	Speed	Capacitor	Air Flow (0 Pa)	Noise	Curve	Working Temp.	Approvals
	V	Hz	A	W	RPM	µF	[m ³ /h]/[CFM]	dB(A)	No.	Min/Max (°C)	
YWF.B4T-500-245SB20	380/400	50	2.0	900	1450	/	8050/4735	78	②	-30/+60	CCC, CE
	380/400	50	1.4	850	1350	/	7250/4264	76	①	-30/+60	CCC, CE