



Backward Curved Centrifugal Fan with Conventional Plastic Impeller



Φ 180

Rotor Material: Aluminum Die-casting

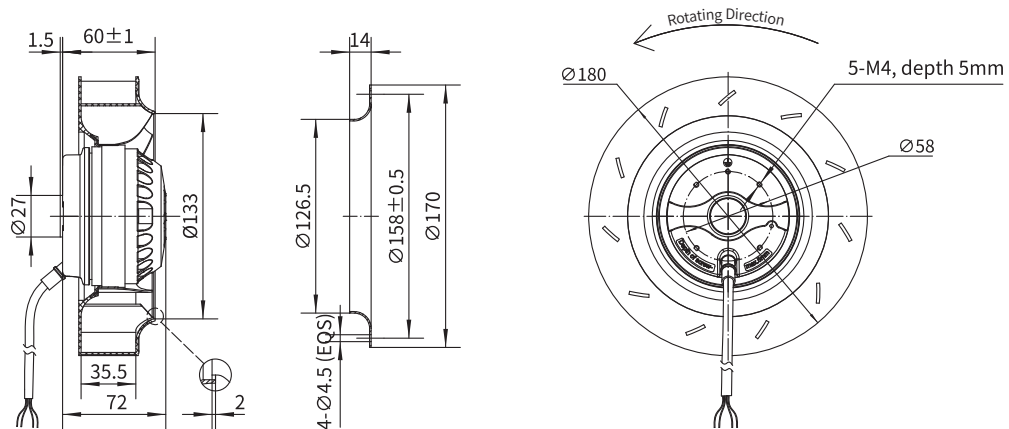
Impeller Material: Plastic

Ingress Protection: IP44

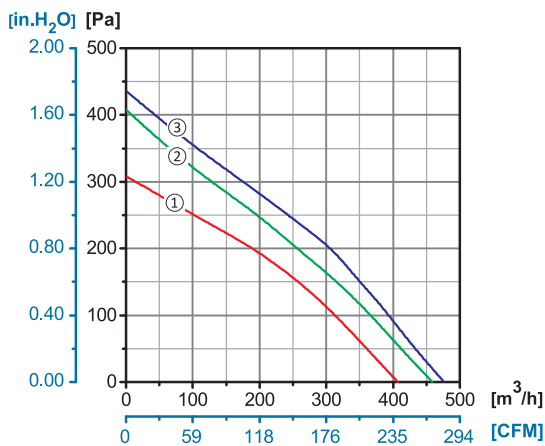
Insulation Class: F

Bearing Type: Maintenance Free Ball Bearing

Dimensional Drawings



Performance Curves



Model No.	Voltage	Frequency	Current	Power	Speed	Capacitor	Air Flow (0 Pa)	Noise	Curve	Working Temp.	Approvals
	V	Hz	A	W	RPM	µF	[m ³ /h]/[CFM]	dB(A)	No.	Min/Max (°C)	
YWF.B2S-180-047AB2A	110/120	60	0.50	60	3050	8	480/280	68	③	-30/+60	
YWF.B2S-180-047AB20	220/230	50	0.19	40	2580	2	420/255	64	①	-30/+60	CCC, CE
	220/230	60	0.26	53	2850	2	470/275	67	②	-30/+60	CE