



Conventional Carbon Steel Blade Axial Fan

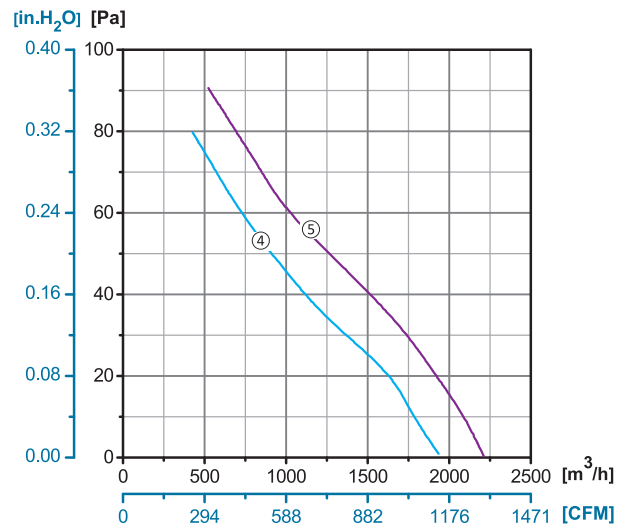
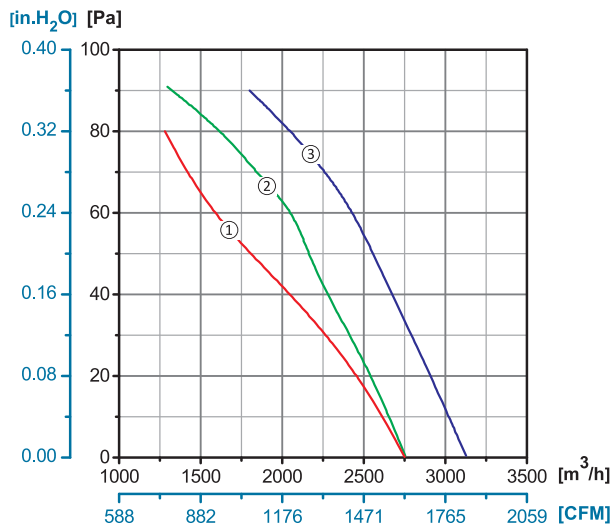
ErP2015
EXCEEDS THE NORM



Φ350

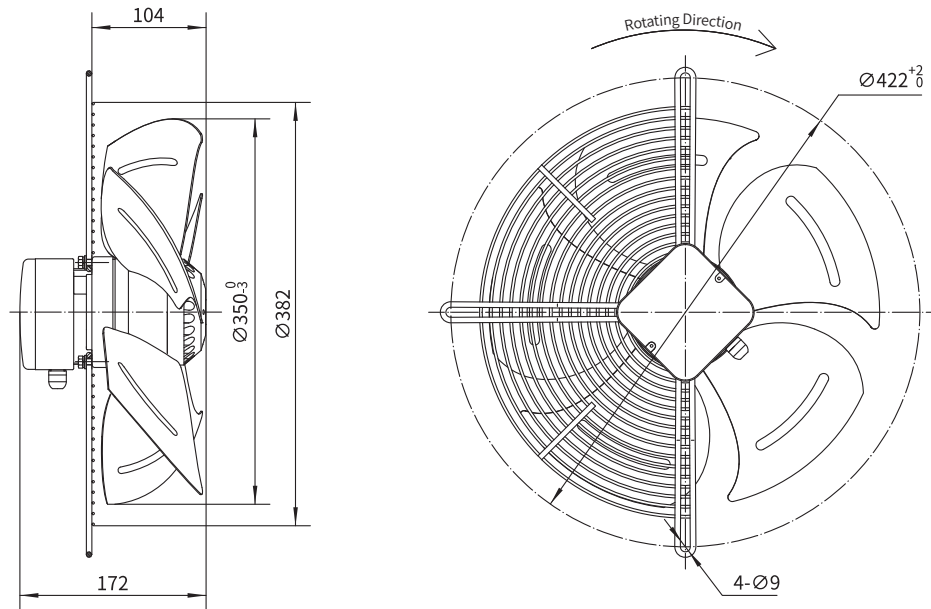
Rotor Material: Aluminum Die-casting
Impeller Material: Carbon Steel
Ingress Protection: IP54
Insulation Class: F
Bearing Type: Maintenance Free Ball Bearing

Performance Curves



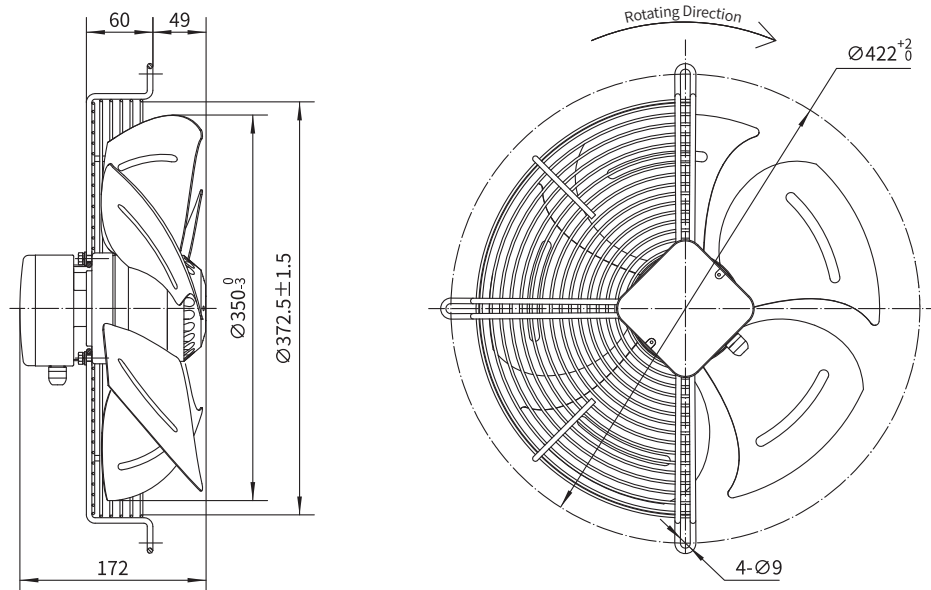
Type B	Type C	Type D	Type E	Type F0
YWF.A4S-350S-5B A00	YWF.A4S-350S-5C A00	YWF.A4S-350S-5D A00	YWF.A4S-350S-5E A00	YWF.A4S-350S-5F A00
YWF.A4T-350S-5B A00	YWF.A4T-350S-5C A00	YWF.A4T-350S-5D A00	YWF.A4T-350S-5E A00	YWF.A4T-350S-5F A00
YWF.A6S-350S-5B A00	YWF.A6S-350S-5C A00	YWF.A6S-350S-5D A00	YWF.A6S-350S-5E A00	YWF.A6S-350S-5F A00
YWF.A6T-350S-5B A00	YWF.A6T-350S-5C A00	YWF.A6T-350S-5D A00	YWF.A6T-350S-5E A00	YWF.A6T-350S-5F A00
YWF.A4S-350S-5B A05	YWF.A4S-350S-5C A05	YWF.A4S-350S-5D A05	YWF.A4S-350S-5E A05	YWF.A4S-350S-5F A05


Type B



Conv. Steel Blade Axial

Type C



	Voltage	Frequency	Current	Power	Speed	Capacitor	Air Flow (0 Pa)	Noise	Curve	Working Temp.	Approvals
Type F1	V	Hz	A	W	RPM	μF	$[\text{m}^3/\text{h}]/[\text{CFM}]$	dB(A)	No.	Min/Max($^{\circ}\text{C}$)	
/	220/230	50	0.60	135	1380	4	2750/1617	58	②	-30/+60	CCC, CE
/	220/230	60	0.83	190	1550	4	3100/1823	60	③	-30/+60	CCC, CE, UL
/	380/400	50	0.30	135	1360	/	2750/1617	58	②	-30/+60	CCC, CE
/	380/400	60	0.34	170	1500	/	3050/1794	60	③	-30/+60	CCC, CE, UL
/	220/230	50	0.40	80	950	3	1950/1147	53	④	-30/+60	CCC, CE
/	220/230	60	0.37	83	1100	3	2150/1264	54	⑤	-30/+60	CCC, CE, UL
/	380/400	50	0.29	70	920	/	1950/1147	53	④	-30/+60	CCC, CE
/	380/400	60	0.20	80	1070	/	2150/1264	54	⑤	-30/+60	CCC, CE, UL
/	110/120	60	1.60	175	1500	12	2750/1618	60	①	-30/+60	UL

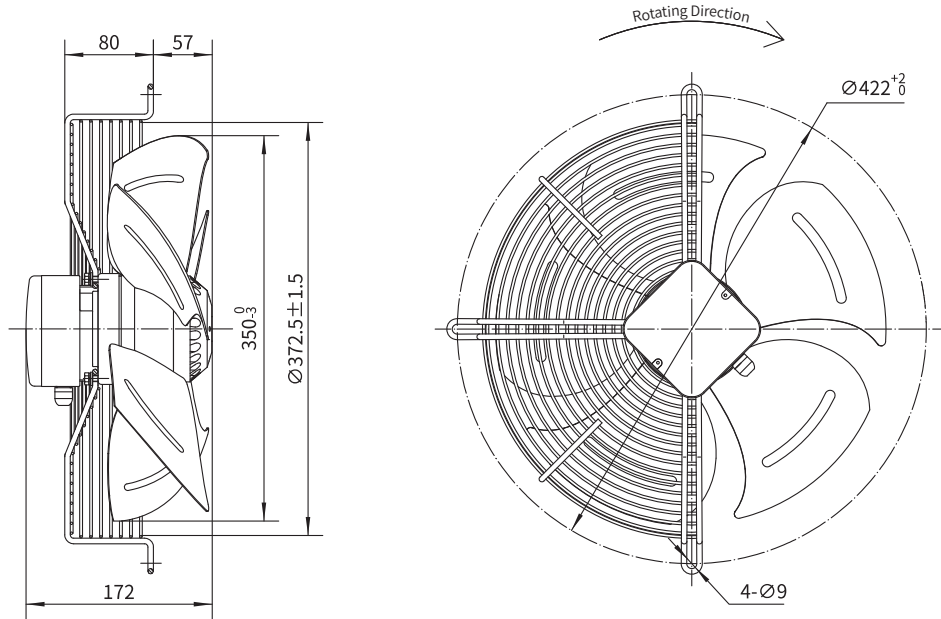




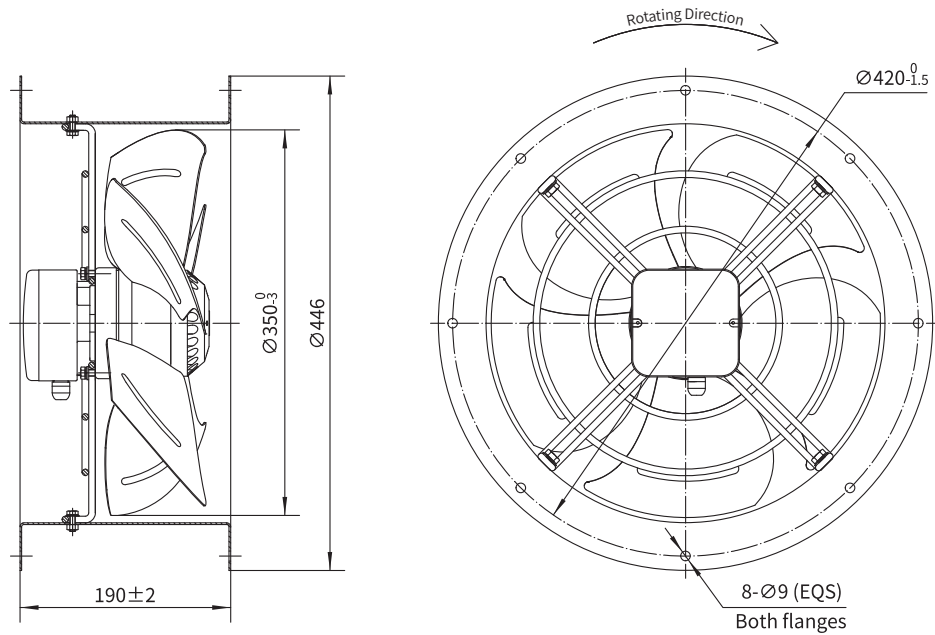
Conventional Carbon Steel Blade Axial Fan

Φ350

Type D



Type E

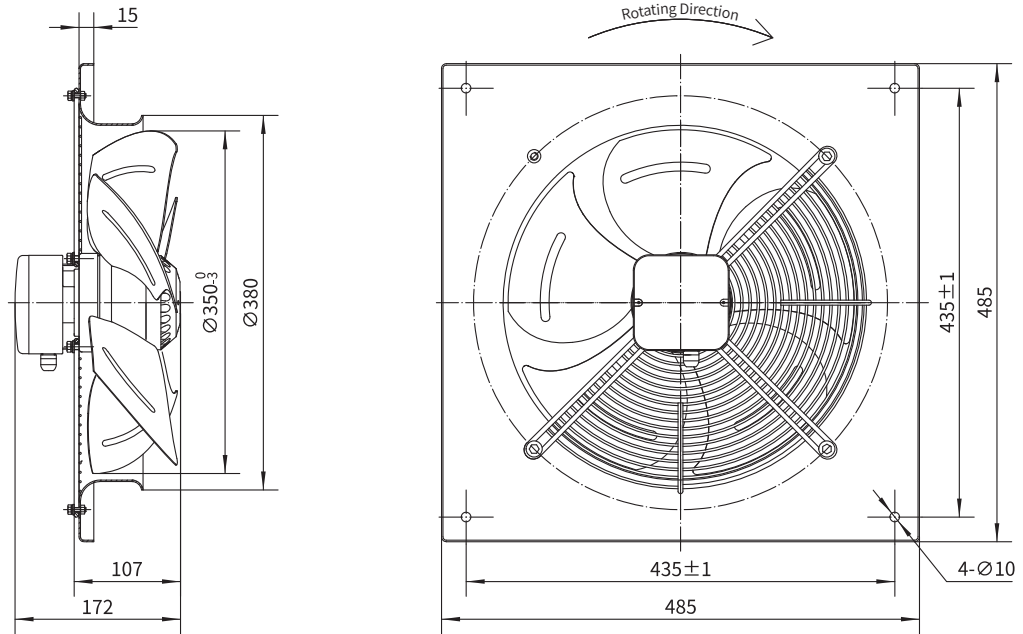




Conventional Carbon Steel Blade Axial Fan

Φ350

Type F0



Conv. Steel Blade Axial