



## Backward Curved Centrifugal Fan with Aileron Impeller



### Φ 190

Rotor Material: Aluminum Die-casting

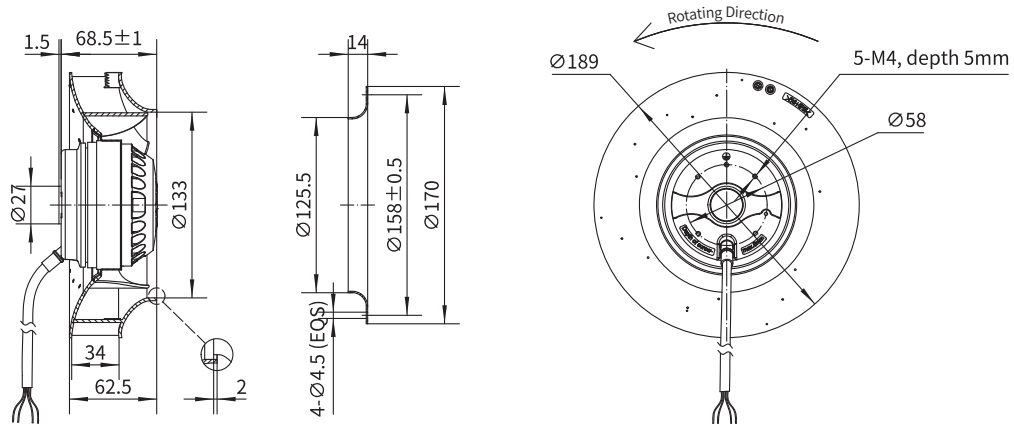
Impeller Material: Plastic

Ingress Protection: IP44

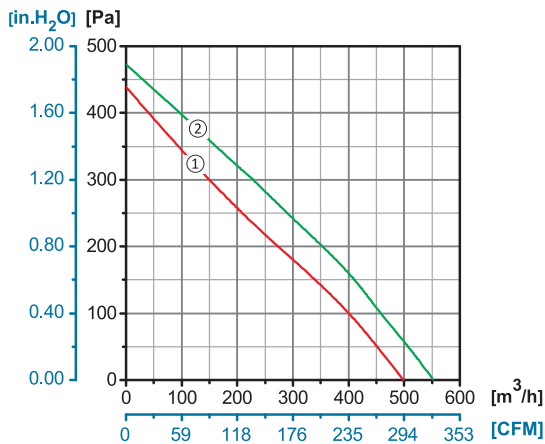
Insulation Class: F

Bearing Type: Maintenance Free Ball Bearing

### Dimensional Drawings



### Performance Curves



Model No.	Voltage	Frequency	Current	Power	Speed	Capacitor	Air Flow (0 Pa)	Noise	Curve	Working Temp.	Approvals
	V	Hz	A	W	RPM	µF	[m <sup>3</sup> /h]/[CFM]	dB(A)	No.	Min/Max (°C)	
YWF.B2S-190-060AB2A	110/120	60	0.75	85	2760	8	550/323	71	②	-30/+60	UL
YWF.B2S-190-060AB20	220/230	60	0.35	75	2500	2.5	500/294	67	①	-30/+60	UL