



## In-line Duct Fan



### Φ 250

**Rotor Material:** Aluminum Die-casting

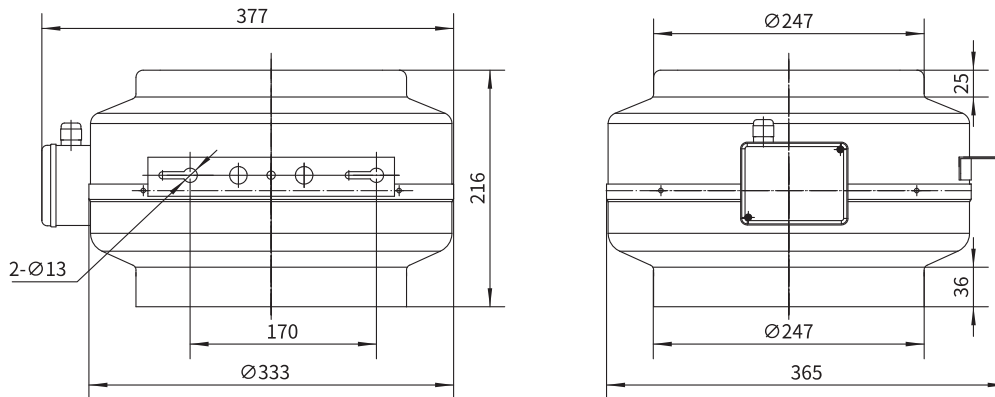
**Housing Material:** Carbon Steel

**Ingress Protection:** IP44

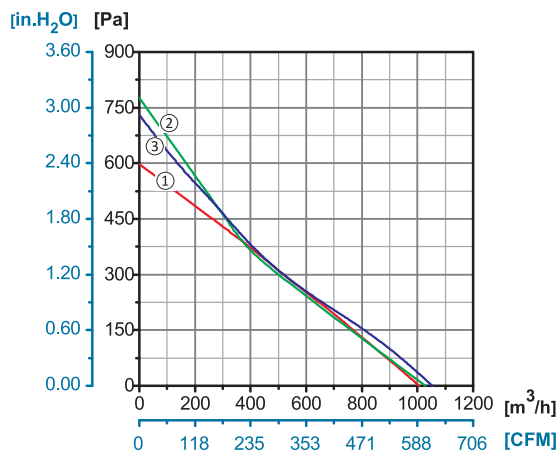
**Insulation Class:** F

**Bearing Type:** Maintenance Free Ball Bearing

### Dimensional Drawings



### Performance Curves



Model No.	Voltage	Frequency	Current	Power	Speed	Capacitor	Air Flow (0 Pa)	Noise	Curve	Working Temp.	Approvals
	V	Hz	A	W	RPM	$\mu F$	$[m^3/h]/[CFM]$	dB(A)	No.	Min/Max (°C)	
YWF.G2S-250-216AA2A	110/120	60	1.83	212	2600	20	1050/618	70	①	-30/+60	
YWF.G2S-250-216AA20	220/230	50	0.97	200	2480	8	1100/647	68	③	-30/+60	CCC, CE
	220/230	60	1.30	280	2520	8	1076/632	68	②	-30/+60	CE

