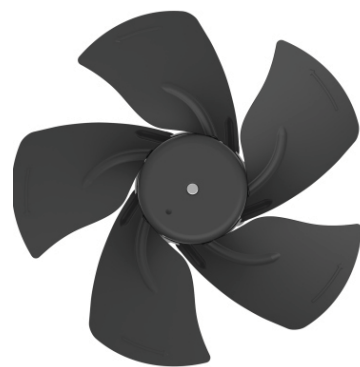


DC Conventional Carbon Steel Blade Axial Fan

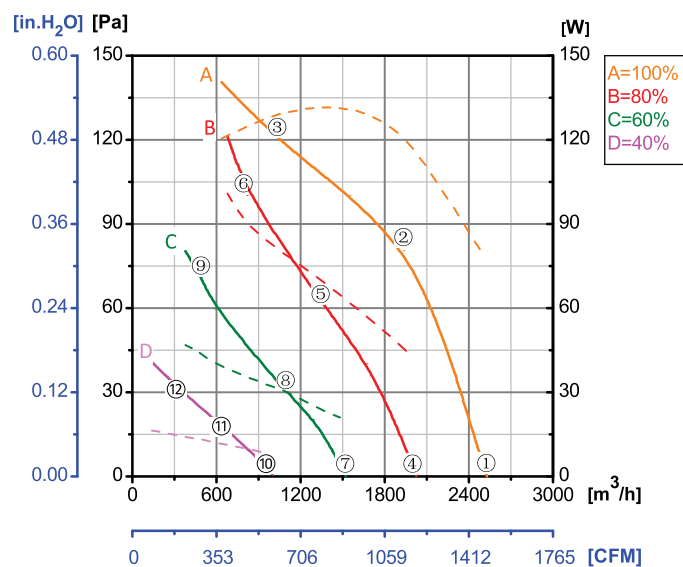
Erp2015
EXCEEDS THE NORM



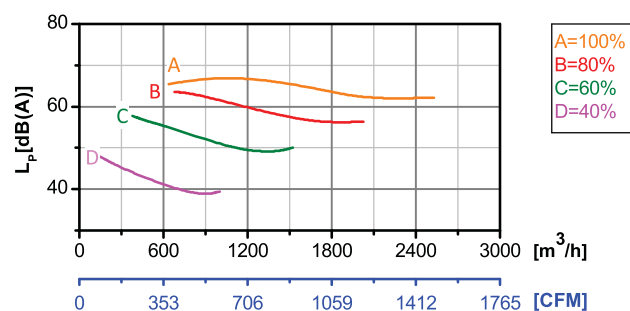
Φ 300

Rotor Material: Carbon steel
Blade Material: Carbon steel
Ingress Protection: IP42
Insulation Class: F
Bearing Type: Maintenance free ball bearing

Performance Curves



Test Point	Speed rpm	Input Power W
1	1947	77
2	1943	123
3	1801	130
4	1557	42
5	1552	70
6	1547	88
7	1168	21
8	1168	31
9	1166	44
10	779	8
11	778	12
12	778	17



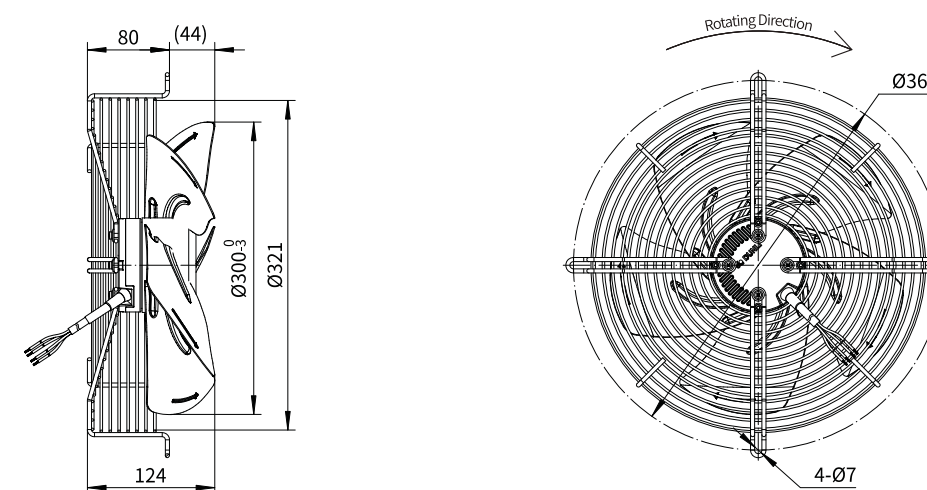
Erp2015 Data:
Efficiency η_{statA} = 40.7%
Efficiency grade N_{actual} = 52.8, N_{target} = 40
Test report No. : L-20210302-004-023

Model No.	Voltage	Frequency	Speed	Input Power	Current	Working Temp.	Approvals
	V/BC	Hz	RPM	W	A	Min/Max (°C)	
DC92-A300-039	24	/	1950	120	5.00	-20/+60	CE
DC92-A300-A39	48	/	1950	120	2.50	-20/+60	CCC,CE
DC92-A300-D39	310	/	1950	120	0.39	-20/+60	CCC,CE

Type A



Type D



Type F

