



## Backward Curved Centrifugal Fan with Conventional Metal Impeller



### Φ 450

Rotor Material: Aluminum Die-casting

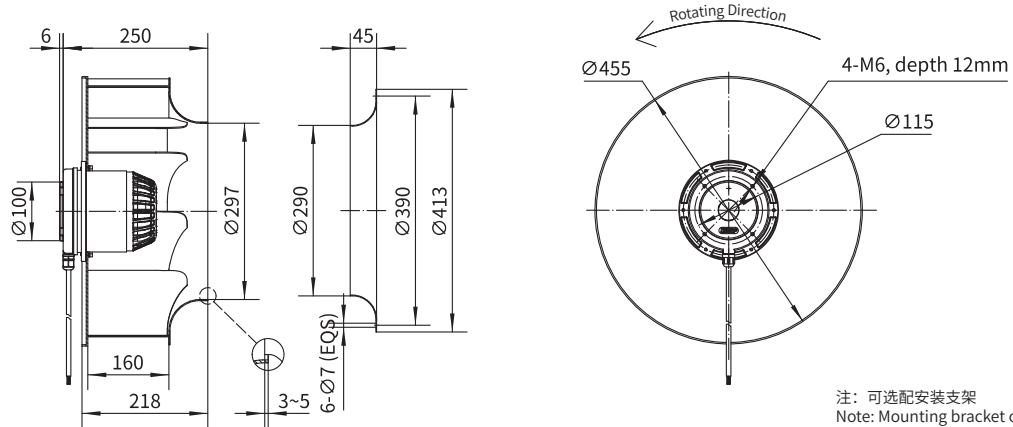
Impeller Material: Aluminum Alloy

Ingress Protection: IP54

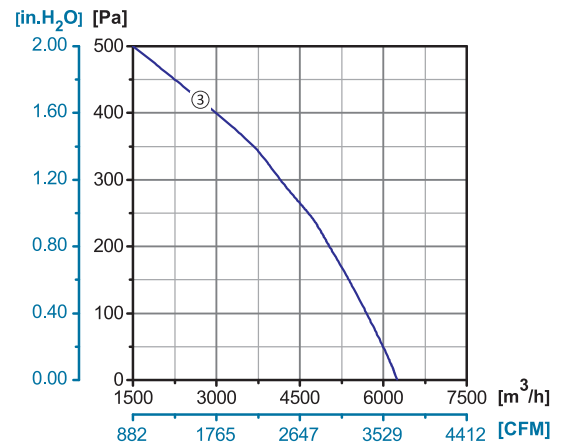
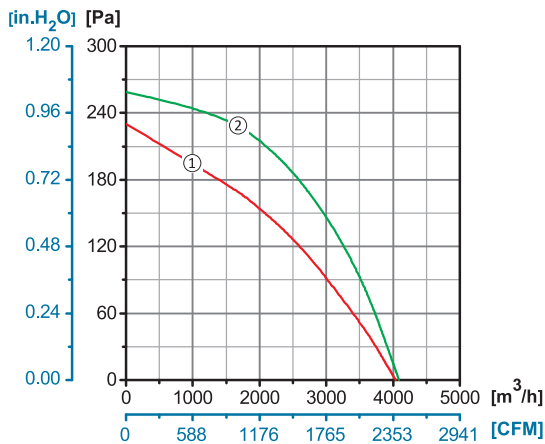
Insulation Class: F

Bearing Type: Maintenance Free Ball Bearing

### Dimensional Drawings



### Performance Curves



| Model No.           | Voltage | Frequency | Current | Power | Speed | Capacitor | Air Flow (0 Pa)           | Noise | Curve | Working Temp. | Approvals |
|---------------------|---------|-----------|---------|-------|-------|-----------|---------------------------|-------|-------|---------------|-----------|
|                     | V       | Hz        | A       | W     | RPM   | μF        | [m <sup>3</sup> /h]/[CFM] | dB(A) | No.   | Min/Max (°C)  |           |
| YWF.B4T-450-218AB10 | 380/400 | 50        | 1.3     | 550   | 1340  | /         | 6240/3670                 | 69    | ③     | -30/+60       | CCC, CE   |
| YWF.B6S-450-218AB10 | 220/230 | 50        | 0.95    | 190   | 930   | 6         | 4040/2376                 | 60    | ①     | -30/+60       | CCC, CE   |
| YWF.B6T-450-218AB10 | 380/400 | 50        | 0.85    | 200   | 920   | /         | 4080/2400                 | 65    | ②     | -30/+60       | CCC, CE   |

