



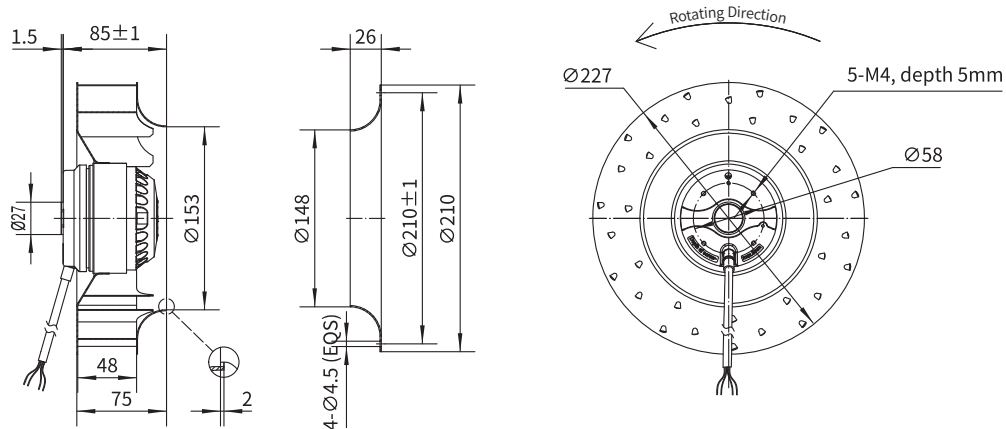
Backward Curved Centrifugal Fan with Conventional Metal Impeller



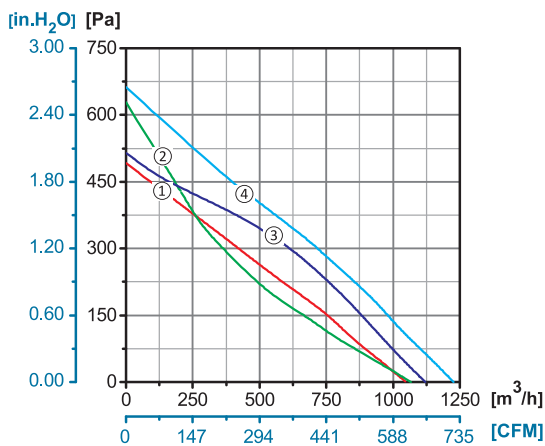
Φ 225

Rotor Material: Aluminum Die-casting
Impeller Material: Galvanized Steel Sheet
Ingress Protection: IP44
Insulation Class: F
Bearing Type: Maintenance Free Ball Bearing

Dimensional Drawings



Performance Curves



Model No.	Voltage	Frequency	Current	Power	Speed	Capacitor	Air Flow (0 Pa)	Noise	Curve	Working Temp.	Approvals
	V	Hz	A	W	RPM	µF	[m ³ /h]/[CFM]	dB(A)	No.	Min/Max (°C)	
YWF.B2S-225-075AB20	220/230	50	0.48	104	2510	4	1045/614	73	①	-30/+60	CCC, CE
	220/230	60	0.66	145	2630	4	1066/627	74	②	-30/+60	CE
YWF.B2T-225-075AB20	380/400	50	0.22	95	2500	/	1105/650	72	③	-30/+60	CCC, CE
	380/400	60	0.23	125	2700	/	1195/702	75	④	-30/+60	CE