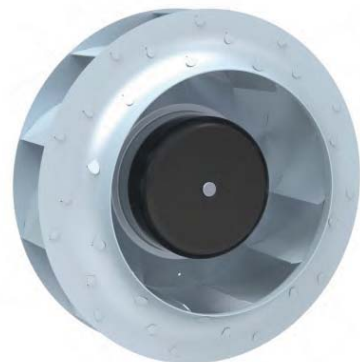


DC Backward Centrifugal Fan with Metal Impeller

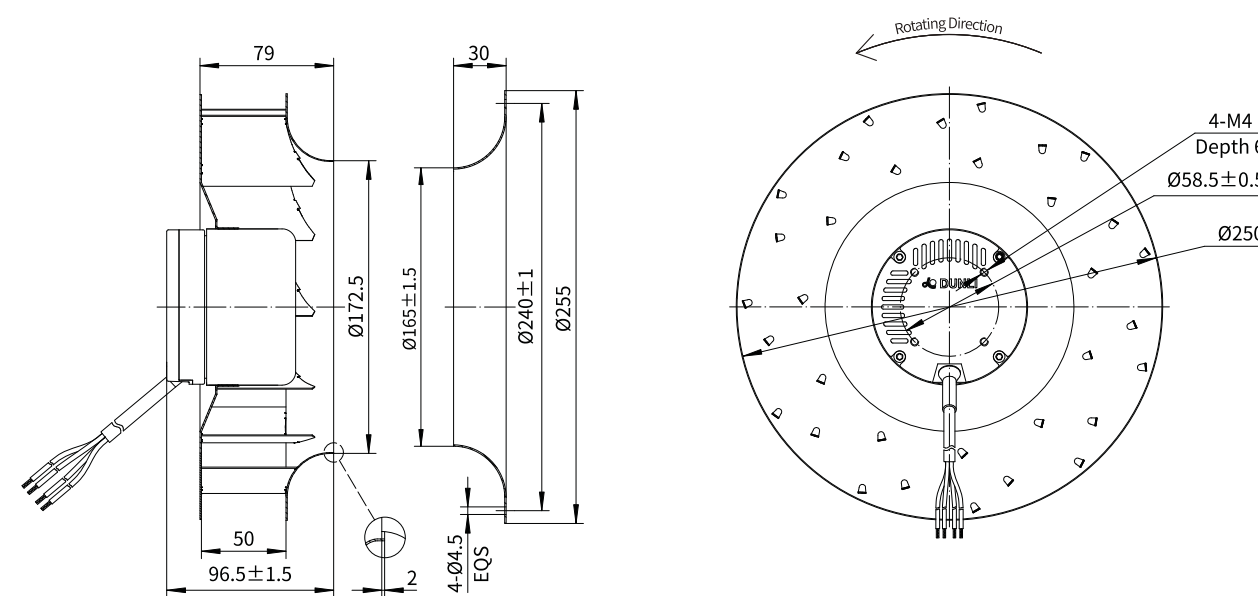
Erp2015
EXCEEDS THE NORM

Motorized Backward Curved Impeller

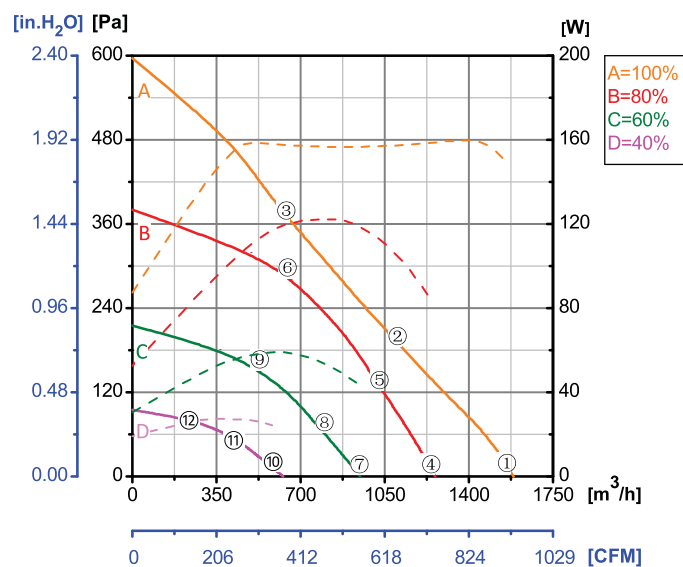


Φ 250

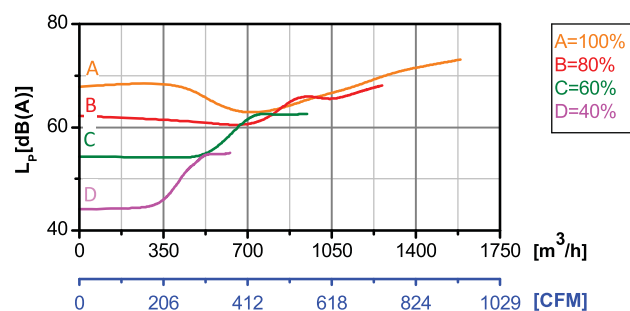
Rotor Material: Carbon steel
 Impeller Material: Galvanized steel sheet
 Ingress Protection: IP42
 Insulation Class: F
 Bearing Type: Maintenance free ball bearing



Performance Curves



Test Point	Speed	Input Power
	rpm	W
1	2733	145
2	2456	158
3	2402	157
4	2184	81
5	2181	112
6	2181	121
7	1642	43
8	1643	54
9	1642	59
10	1094	22
11	1093	26
12	1094	27



Erp2015 Data:
 Efficiency η_{statA} = 50.0%
 Efficiency grade N_{actual} = 68.9, N_{target} = 62
 Test report No. : L-20210302 -005-101

Model No.	Voltage	Frequency	Speed	Input Power	Current	Working Temp.	Approvals
	VAC	Hz	RPM	W	A	Min/Max (°C)	
DC92-B250-C10	48	/	2700	155	3.23	-20/+60	CCC,CE
DC92-B250-D10	310	/	2700	155	0.50	-20/+60	CCC,CE