



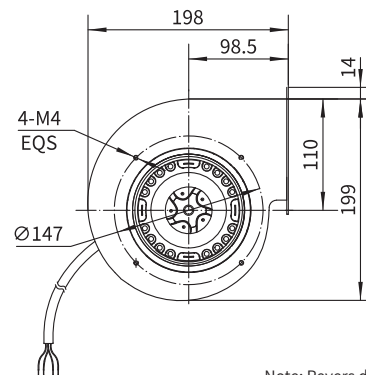
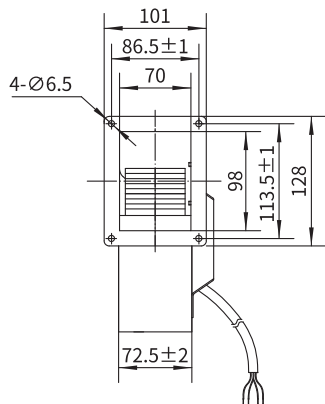
Forward Curved Blower



Φ 140

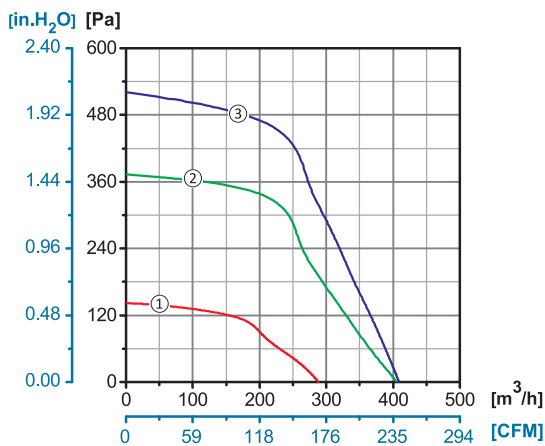
Rotor Material: Aluminum Die-casting
Impeller Material: Galvanized Steel Sheet
Ingress Protection: IP44
Insulation Class: F
Bearing Type: Maintenance Free Ball Bearing

Dimensional Drawings



Note: Revers direction is available

Performance Curves



Model No.	Voltage	Frequency	Current	Power	Speed	Capacitor	Air Flow (0 Pa)	Noise	Curve	Working Temp.	Approvals
	V	Hz	A	W	RPM	µF	[m³/h]/[CFM]	dB(A)	No.	Min/Max (°C)	
YWF.F2S-140-059AA2A	110/120	60	1.76	203	2730	20	410/241	68	③	-30/+60	
YWF.F4S-140-059AA2A	110/120	60	0.28	58	1620	6	290/167	62	①	-30/+60	
YWF.F2S-140-059AA20	220/230	50	0.63	136	2600	4	390/266	68	②	-30/+60	CCC, CE
	220/230	60	0.92	200	2700	4	400/235	68	③	-30/+60	CE