

EC Conventional Carbon Steel Blade Axial Fan

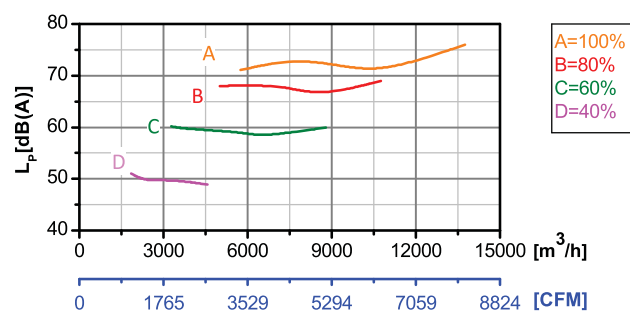
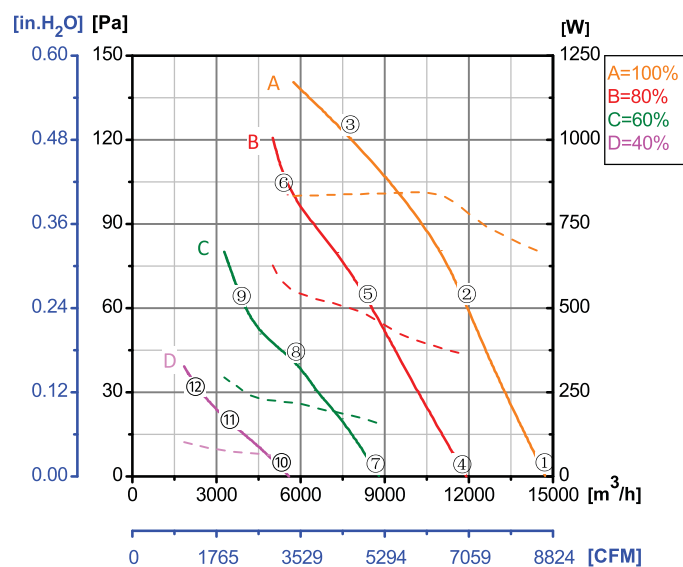
ErP2015
EXCEEDS THE NORM



Φ 710 (3-phase)

Rotor Material: Carbon steel
Blade Material: Carbon steel
Ingress Protection: IP54
Insulation Class: F
Bearing Type: Maintenance free ball bearing

Performance Curves

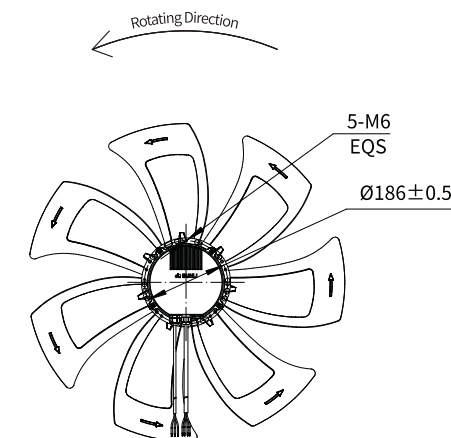
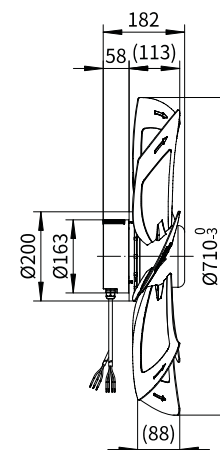


| Test Point | Speed | Input Power |
|------------|-------|-------------|
| | rpm | W |
| 1 | 945 | 660 |
| 2 | 940 | 781 |
| 3 | 892 | 839 |
| 4 | 760 | 359 |
| 5 | 759 | 475 |
| 6 | 760 | 541 |
| 7 | 567 | 157 |
| 8 | 569 | 221 |
| 9 | 569 | 249 |
| 10 | 380 | 60 |
| 11 | 379 | 77 |
| 12 | 379 | 90 |

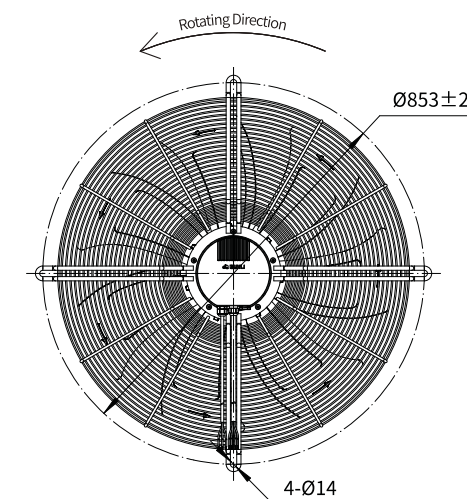
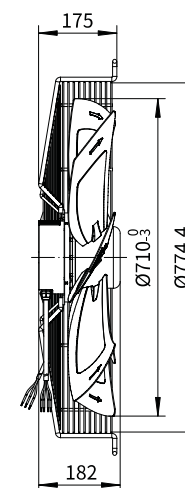
Erp2015 Data:
Efficiency η_{statA} =34.8%
Efficiency grade N_{actual} =41.6, N_{target} =40
Test report No. : L-20210302-004-059

| Model No. | Voltage | Frequency | Speed | Input Power | Current | Working Temp. | Approvals |
|----------------|-----------|-----------|-------|-------------|---------|---------------|-----------|
| | VAC | Hz | RPM | W | A | Min/Max (°C) | |
| EC137-A710-KA1 | 3~380/400 | 50/60 | 930 | 700 | 1.20 | -20/+60 | CCC,CE,UL |

Type A



Type D



Type F

