



Conventional Carbon Steel Blade Axial Fan

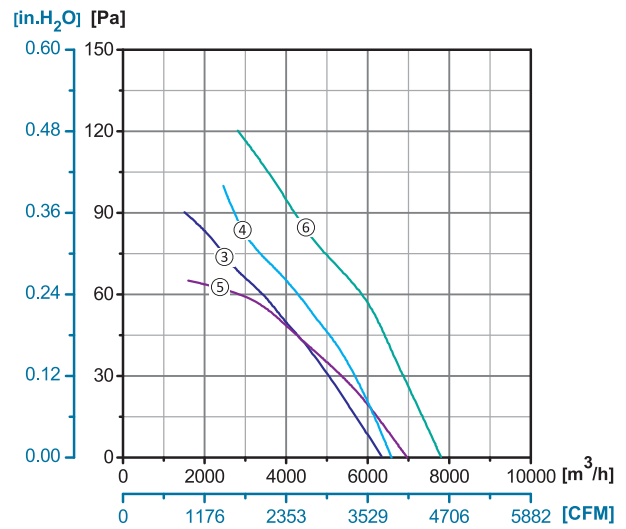
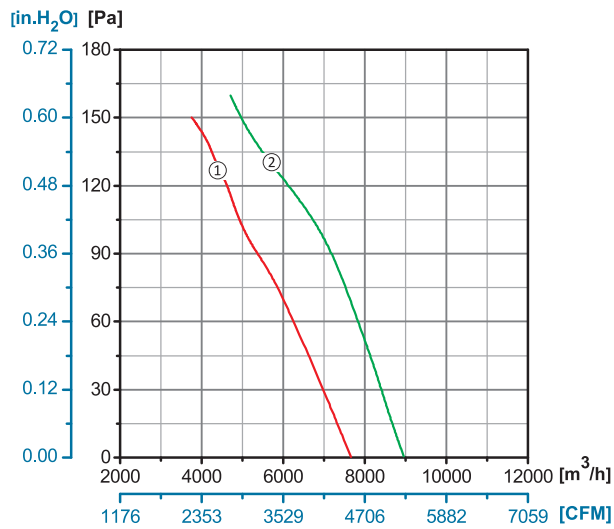
ErP2015
EXCEEDS THE NORM



Φ550

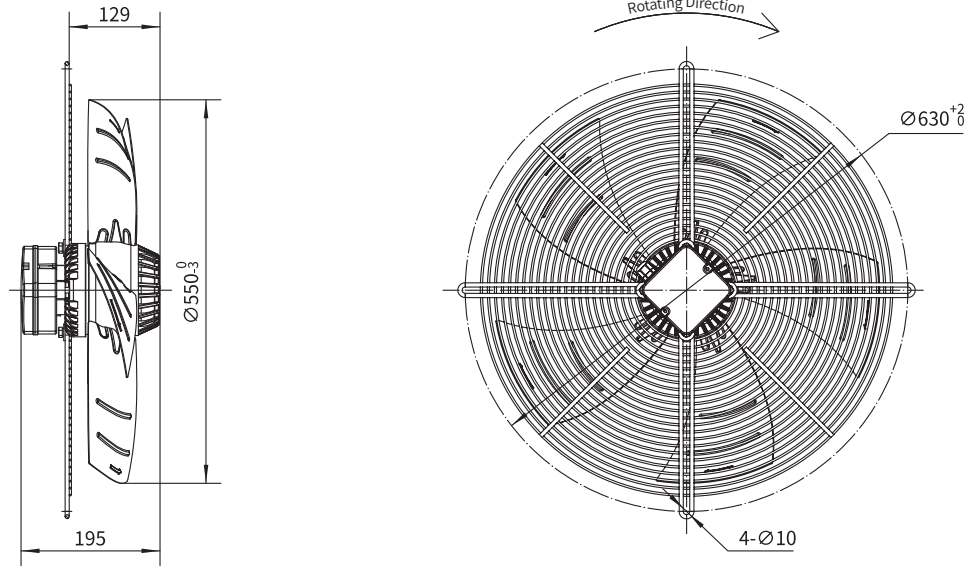
- Rotor Material: Aluminum Die-casting
- Impeller Material: Carbon Steel
- Ingress Protection: IP54
- Insulation Class: F
- Bearing Type: Maintenance Free Ball Bearing

Performance Curves



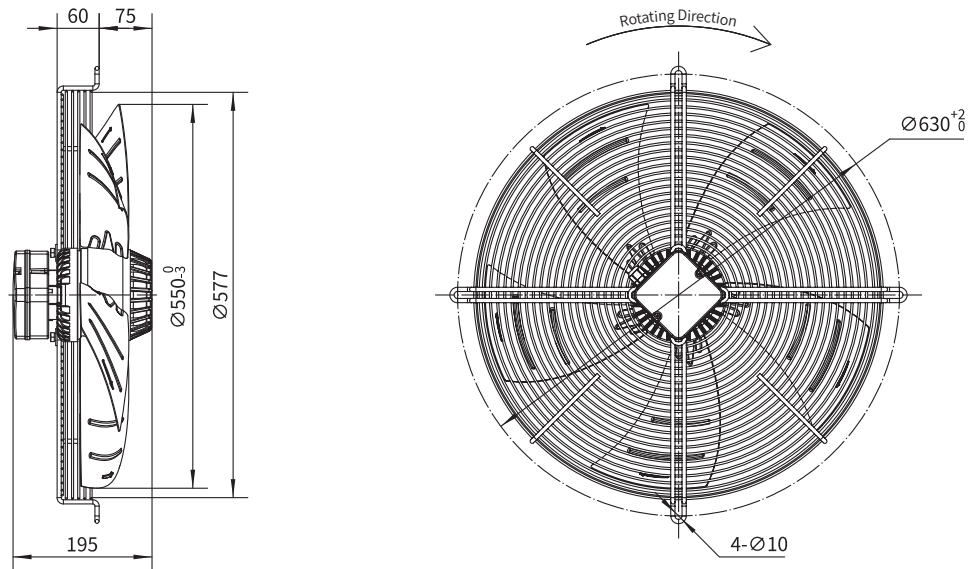
Type B	Type C	Type D	Type E	Type F0
YWF.A4S-550S-5B A00	YWF.A4S-550S-5C A00	YWF.A4S-550S-5E A00	YWF.A4S-550S-5D A00	YWF.A4S-550S-5F A00
YWF.A4T-550S-5B A00	YWF.A4T-550S-5C A00	YWF.A4T-550S-5E A00	YWF.A4T-550S-5D A00	YWF.A4T-550S-5F A00
YWF.A6S-550S-5B A00	YWF.A6S-550S-5C A00	YWF.A6S-550S-5E A00	YWF.A6S-550S-5D A00	YWF.A6S-550S-5F A00
YWF.A6T-550S-5B A00	YWF.A6T-550S-5C A00	YWF.A6T-550S-5E A00	YWF.A6T-550S-5D A00	YWF.A6T-550S-5F A00


Type B



Conv. Steel Blade Axial

Type C



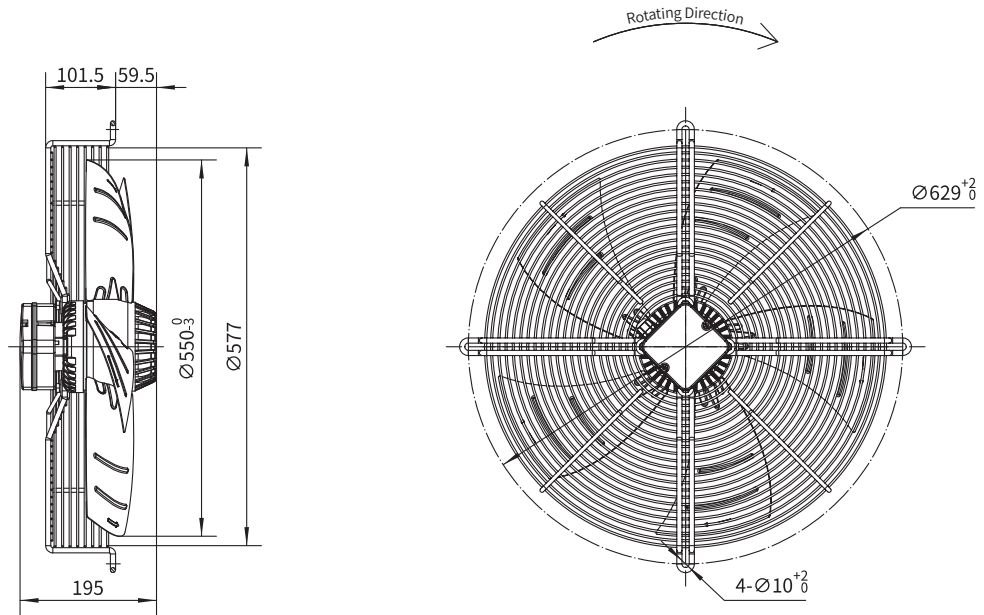
	Voltage	Frequency	Current	Power	Speed	Capacitor	Air Flow (0 Pa)	Noise	Curve	Working Temp.	Approvals
Type F1	V	Hz	A	W	RPM	μF	$[\text{m}^3/\text{h}]/[\text{CFM}]$	dB(A)	No.	Min/Max($^{\circ}\text{C}$)	
YWF.A4S-550S-5F A01	220/230	50	2.50	550	1320	12	7500/4425	73	①	-30/+60	CCC, CE
	220/230	60	3.30	725	1400	12	8800/5192	74	②	-30/+60	CCC, CE, UL
YWF.A4T-550S-5F A01	380/400	50	1.10	550	1330	/	7500/4425	73	①	-30/+60	CCC, CE
	380/400	60	1.40	725	1500	/	8800/5192	74	②	-30/+60	CCC, CE, UL
YWF.A6S-550S-5F A01	220/230	50	1.50	320	910	10	6340/3729	62	③	-30/+60	CCC, CE
	220/230	60	2.15	465	1060	10	7000/4130	66	⑤	-30/+60	CCC, CE, UL
YWF.A6T-550S-5F A01	380/400	50	0.95	320	910	/	6500/3835	64	④	-30/+60	CCC, CE
	380/400	60	1.00	440	1090	/	7800/4588	66	⑥	-30/+60	CCC, CE, UL



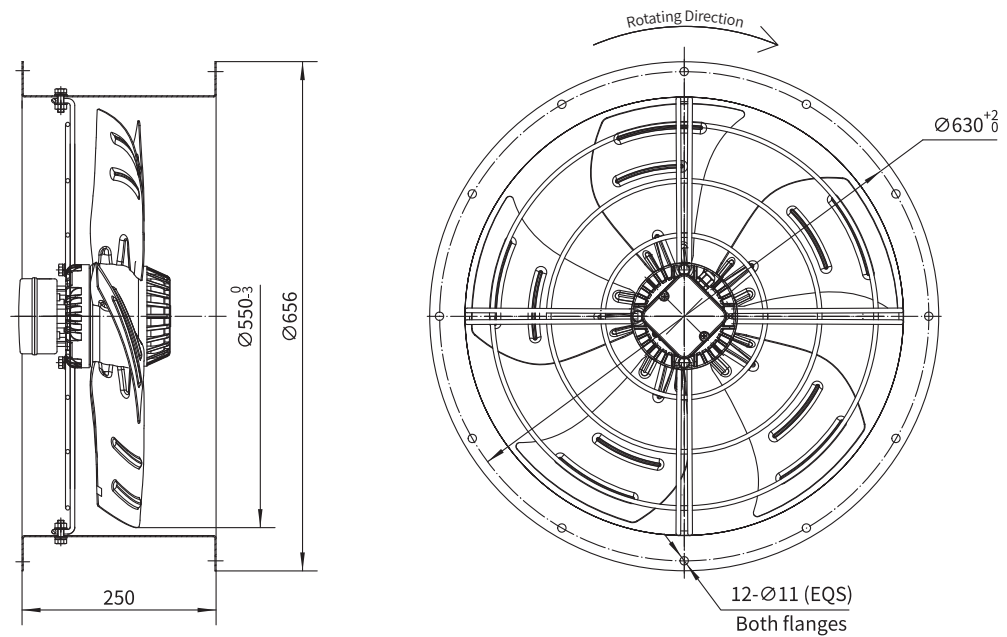
Conventional Carbon Steel Blade Axial Fan

Φ550

Type D



Type E

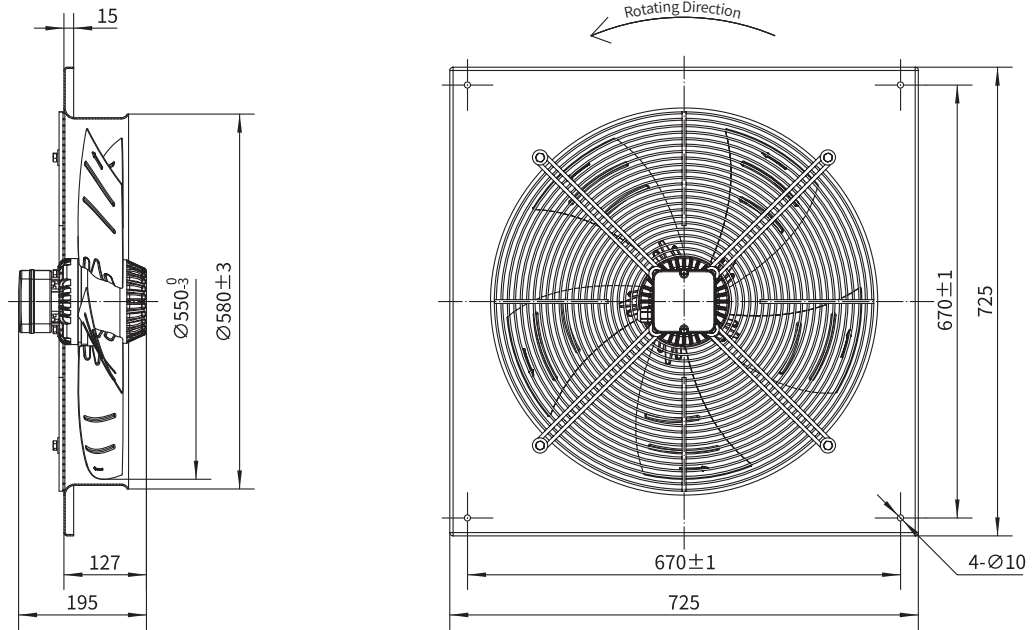




Conventional Carbon Steel Blade Axial Fan

Φ550

Type F0



Conv. Steel Blade Axial

Type F1

