

EC Plastic Airfoil Blade Axial Fan

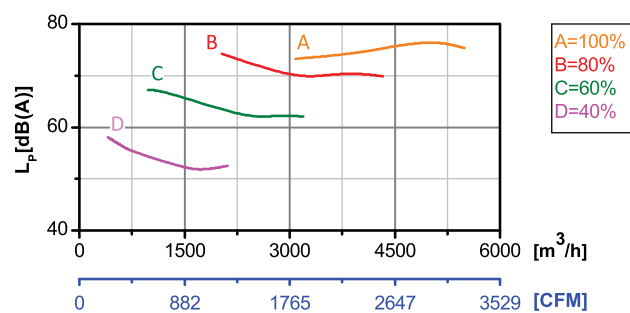
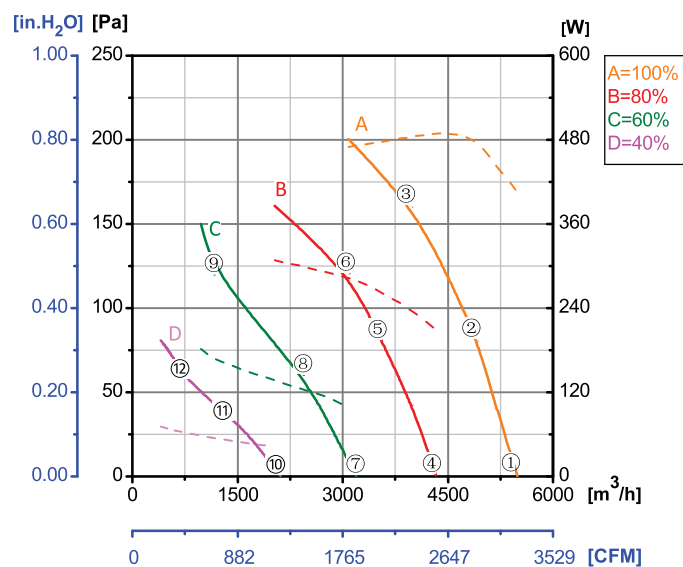
ErP2015
EXCEEDS THE NORM



Φ 400

Rotor Material: Carbon steel
Blade Material: Plastic
Ingress Protection: IP54
Insulation Class: F
Bearing Type: Maintenance free ball bearing

Performance Curves

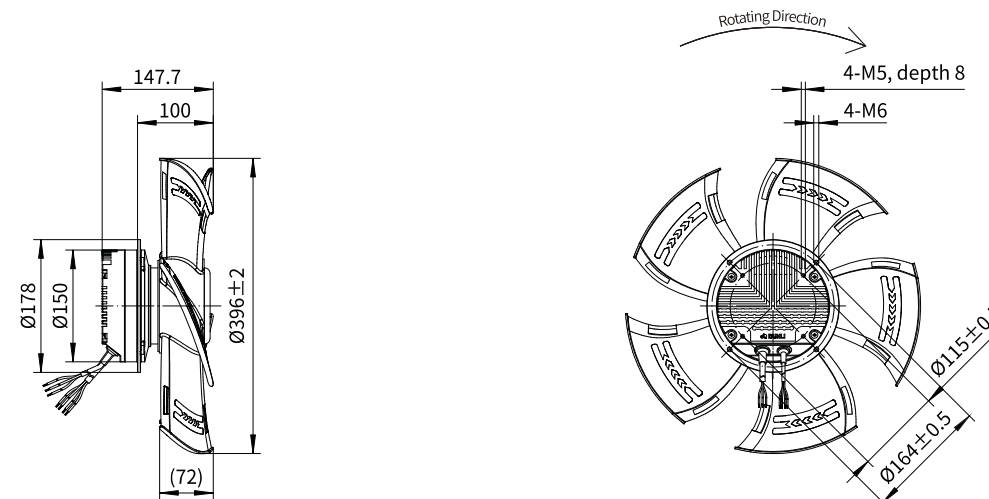


Test Point	Speed	Input Power
	rpm	W
1	2097	406
2	2096	481
3	2016	485
4	1677	210
5	1682	262
6	1683	285
7	1256	94
8	1261	124
9	1260	164
10	839	40
11	838	49
12	838	62

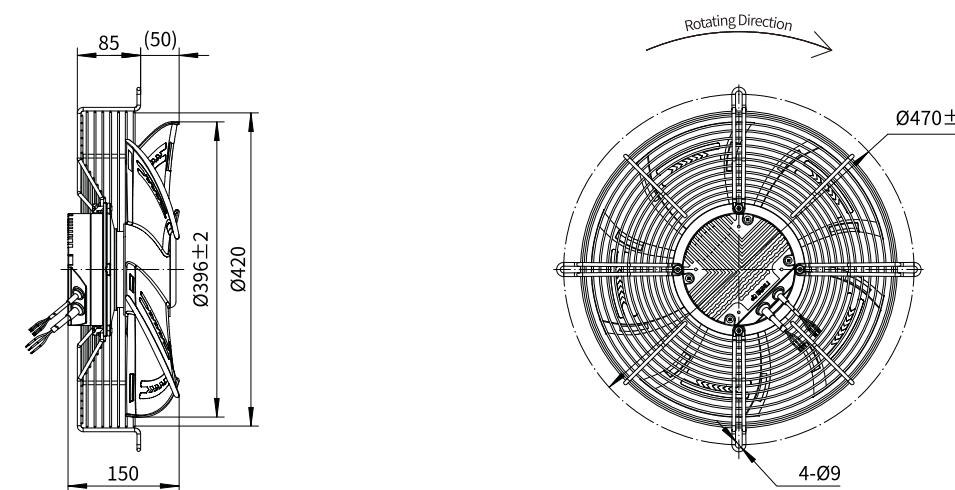
Erp2015 Data:
Efficiency η_{statA} =40.6%
Efficiency grade N_{actual} =49, N_{target} =40
Test report No. : L-20210302-004-087

Model No.	Voltage	Frequency	Speed	Input Power	Current	Working Temp.	APProvals
	VAC	Hz	RPM	W	A	Min/Max (°C)	
EC102-A400-B20	1~220/230	50/60	2090	450	1.91	-20/+60	CCC,CE

Type A



Type D



Type F

