

EC Forward Curved Centrifugal Fan and Blower

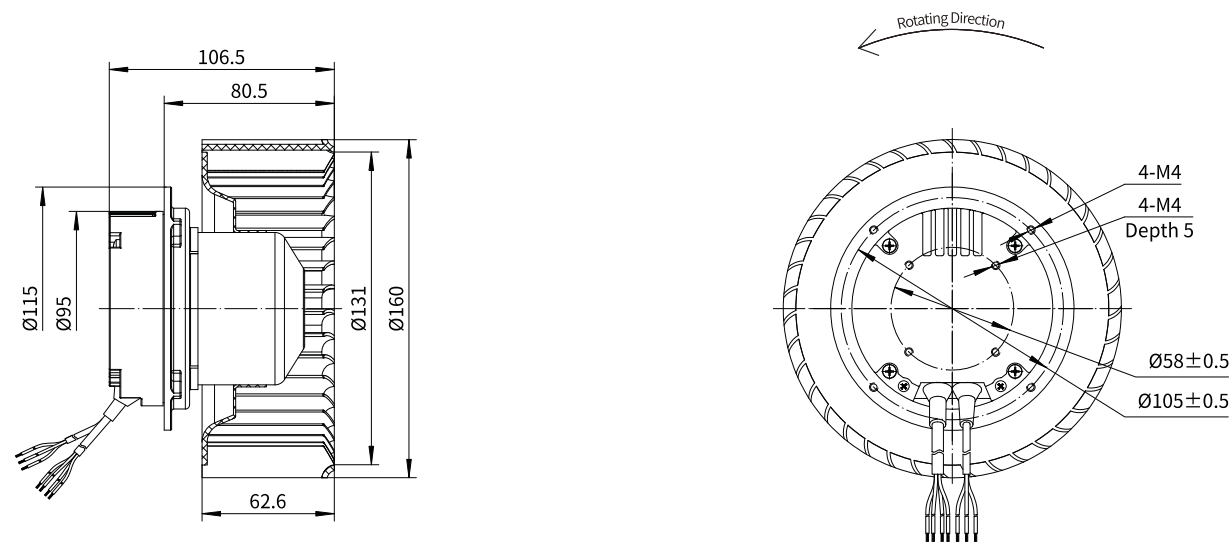
Erp2015
EXCEEDS THE NORM



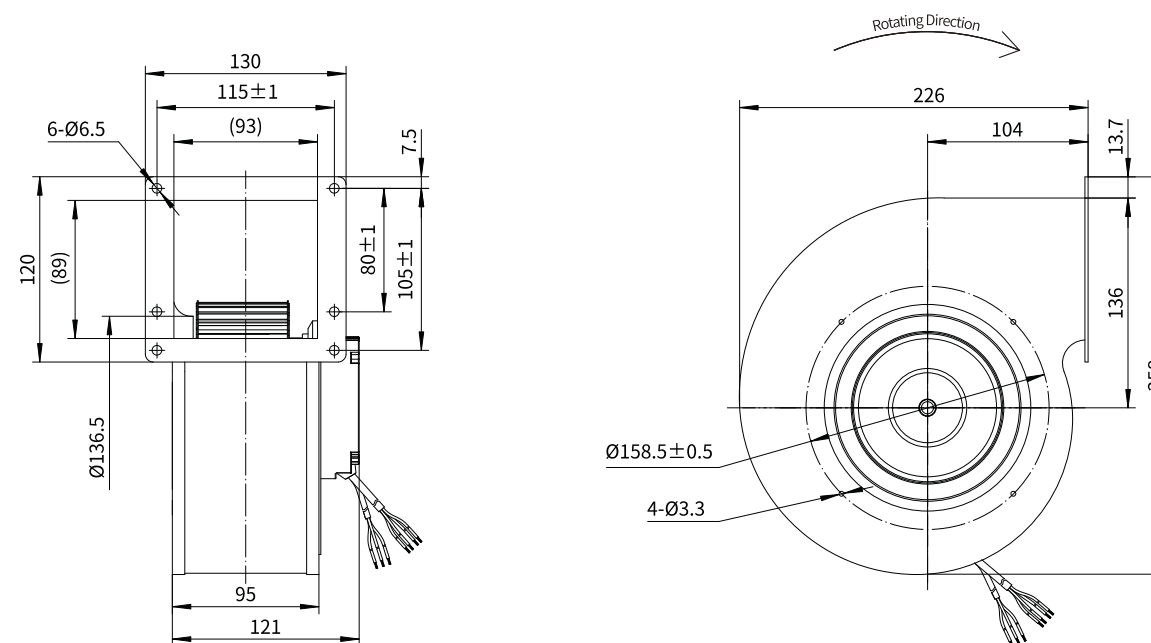
Φ 160-L

Rotor Material: Carbon steel
Housing Material: Carbon steel
Impeller Material: Plastic
Ingress Protection: IP44
Insulation Class: F
Bearing Type: Maintenance free ball bearing

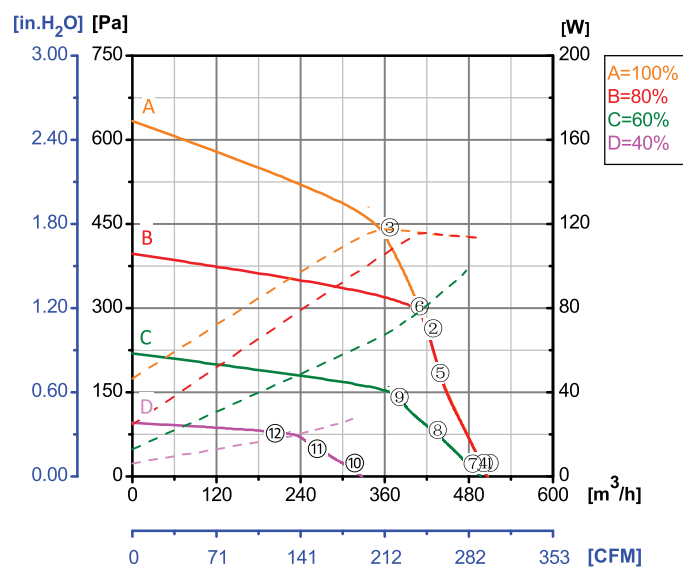
Motorized Forward Curved Impeller



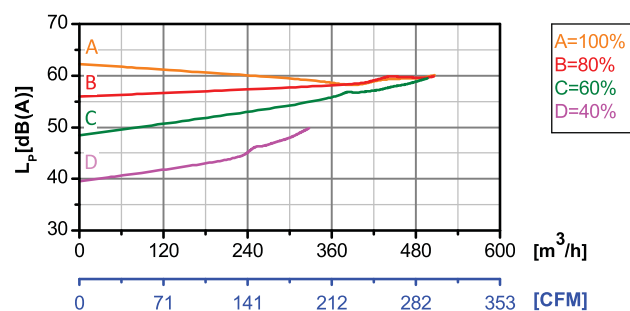
Blower



Performance Curves



Test Point	Speed	Input Power
	rpm	W
1	1838	113
2	2141	115
3	2440	117
4	1834	112
5	2053	115
6	2197	115
7	1800	104
8	1804	89
9	1808	74
10	1200	29
11	1197	25
12	1199	20



Erp2015 Data:
Efficiency $\eta_{statA} = *% < 125W$
Efficiency grade $N_{actual} = *, N_{target} = 44$
Test report No. : L-20210302-003-015

Model No.	Voltage	Frequency	Speed	Input Power	Current	Working Temp.	APProvals
	VAC	Hz	RPM	W	A	Min/Max (°C)	
EC72-F160-001	1~220/230	50/60	1750	105	0.84	-20/+60	CCC,CE