

EC Forward Curved Centrifugal Fan and Blower

ErP2015
EXCEEDS THE NORM

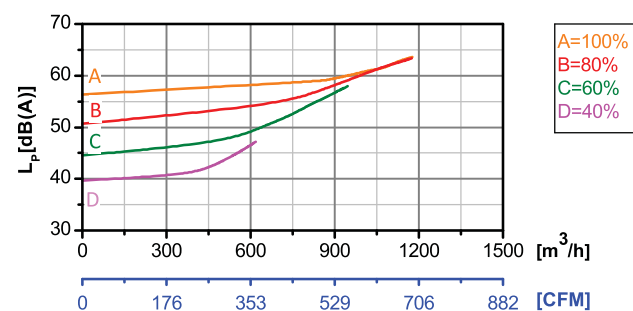
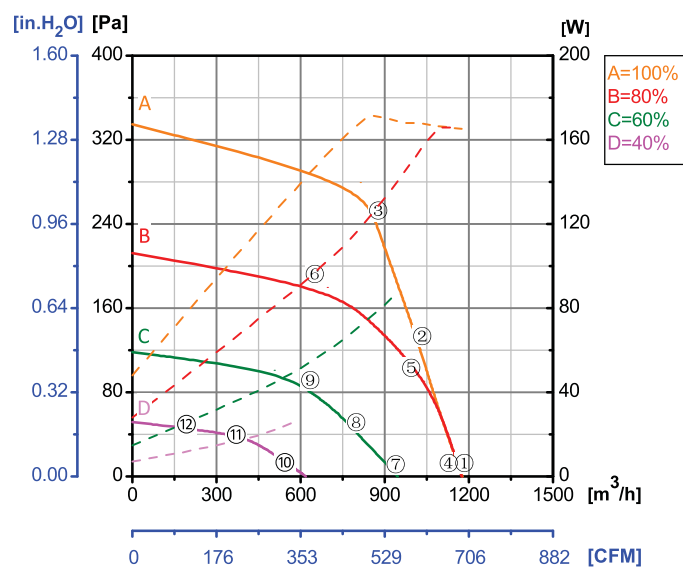
Blower



Φ 146-L (Dual-inlet)

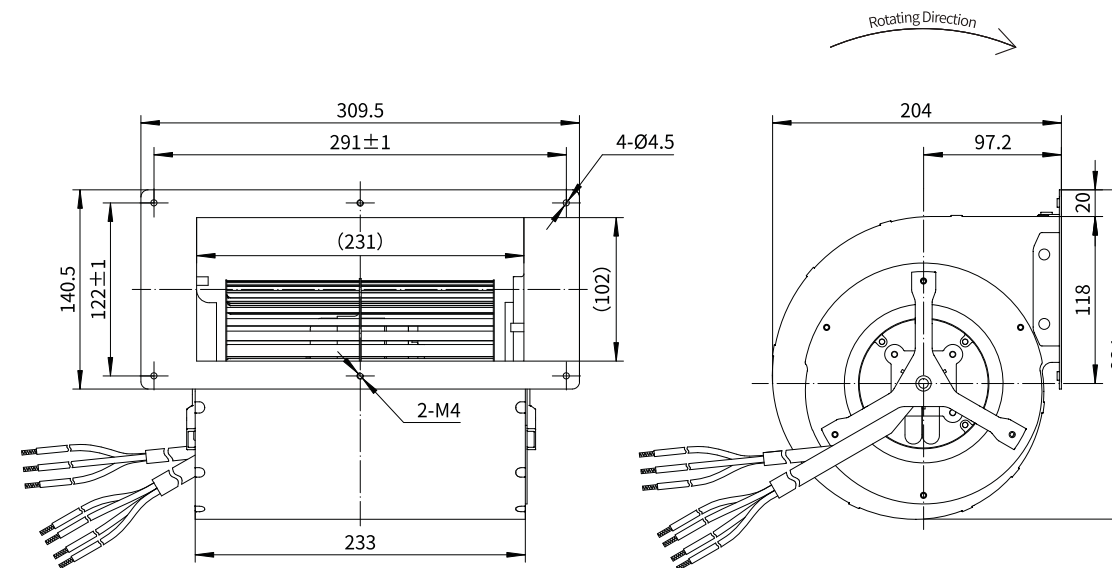
- Rotor Material: Carbon steel
- Housing Material: Carbon steel
- Impeller Material: Galvanized steel sheet
- Ingress Protection: IP44
- Insulation Class: F
- Bearing Type: Maintenance free ball bearing

Performance Curves



Test Point	Speed	Input Power
	rpm	W
1	1698	165
2	1926	168
3	2163	171
4	1704	165
5	1843	158
6	1842	100
7	1381	87
8	1381	71
9	1380	55
10	921	28
11	920	22
12	921	17

Erp2015 Data:
 Efficiency η_{statA} = 41.6%
 Efficiency grade N_{actual} = 52.7, N_{target} = 44
 Test report No. : L-20210302 - 003 - 035



Model No.	Voltage	Frequency	Speed	Input Power	Current	Working Temp.	APPROVALS
	VAC	Hz	RPM	W	A	Min/Max (°C)	
EC92-F146-020	1~220/230	50/60	1830	165	1.30	-20/+60	CCC,CE,UL