



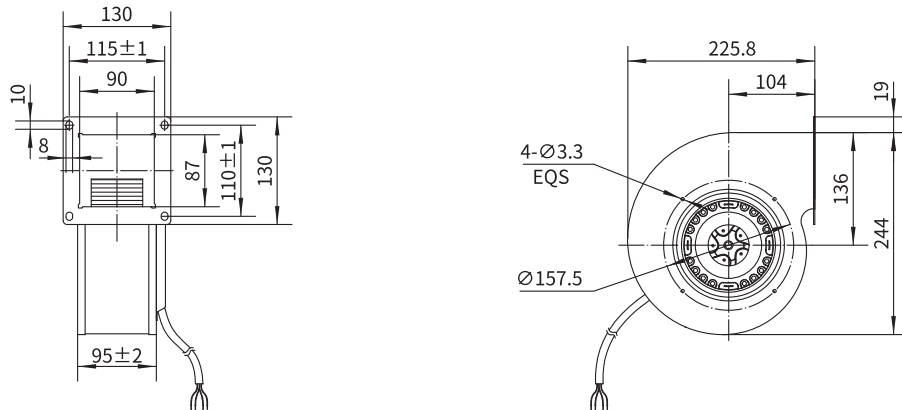
## Forward Curved Blower



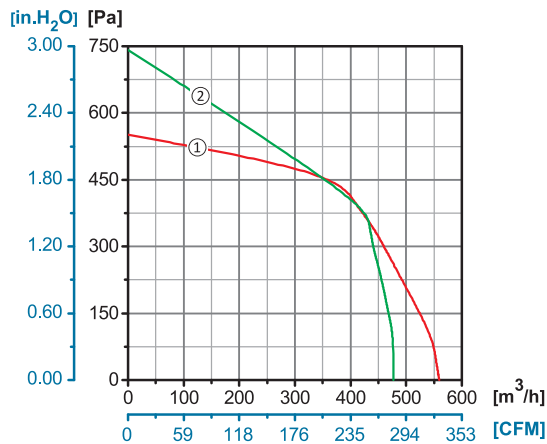
### Φ 160

**Rotor Material:** Aluminum Die-casting  
**Impeller Material:** Galvanized Steel Sheet  
**Ingress Protection:** IP44  
**Insulation Class:** F  
**Bearing Type:** Maintenance Free Ball Bearing

### Dimensional Drawings



### Performance Curves



Model No.	Voltage	Frequency	Current	Power	Speed	Capacitor	Air Flow (0 Pa)	Noise	Curve	Working Temp.	Approvals
	V	Hz	A	W	RPM	μF	[m <sup>3</sup> /h]/[CFM]	dB(A)	No.	Min/Max (°C)	
YWF.F2S-160-060AA20	220/230	50	1.00	223	2020	6	560/320	68	①	-30/+60	CCC, CE
	220/230	60	1.18	260	1780	6	480/280	64	②	-30/+60	CE